

A

B

C

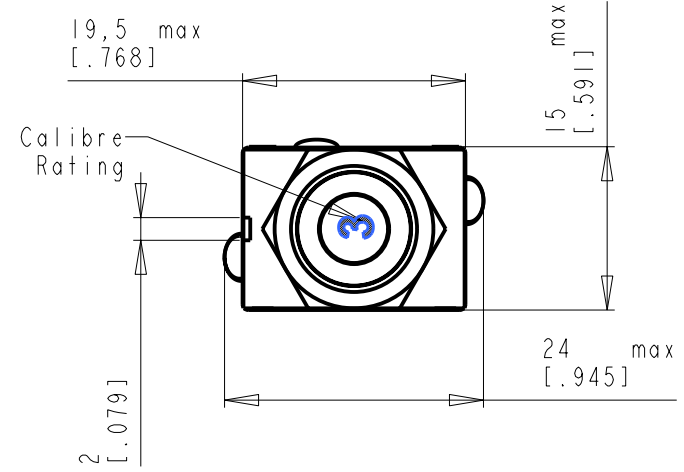
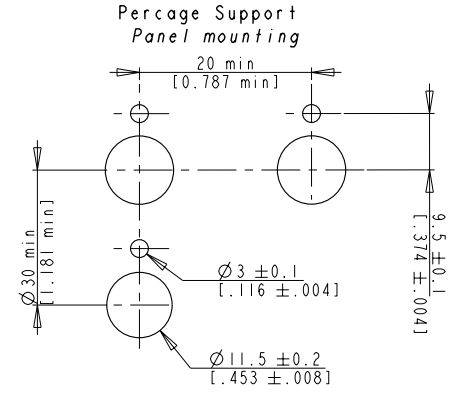
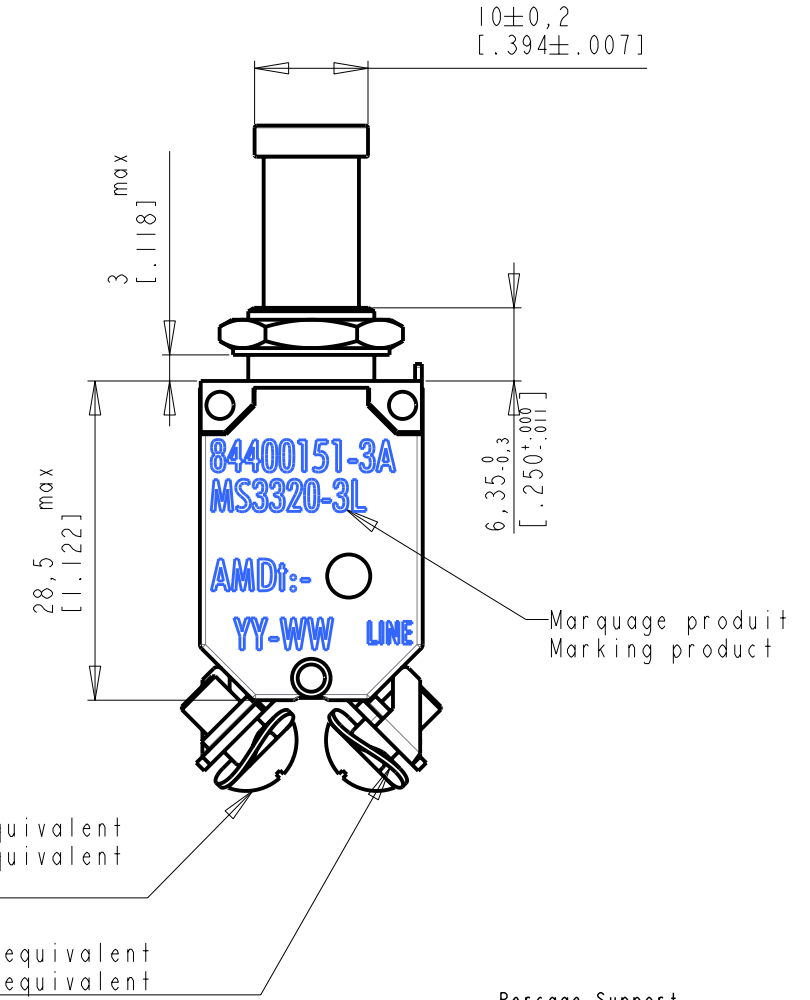
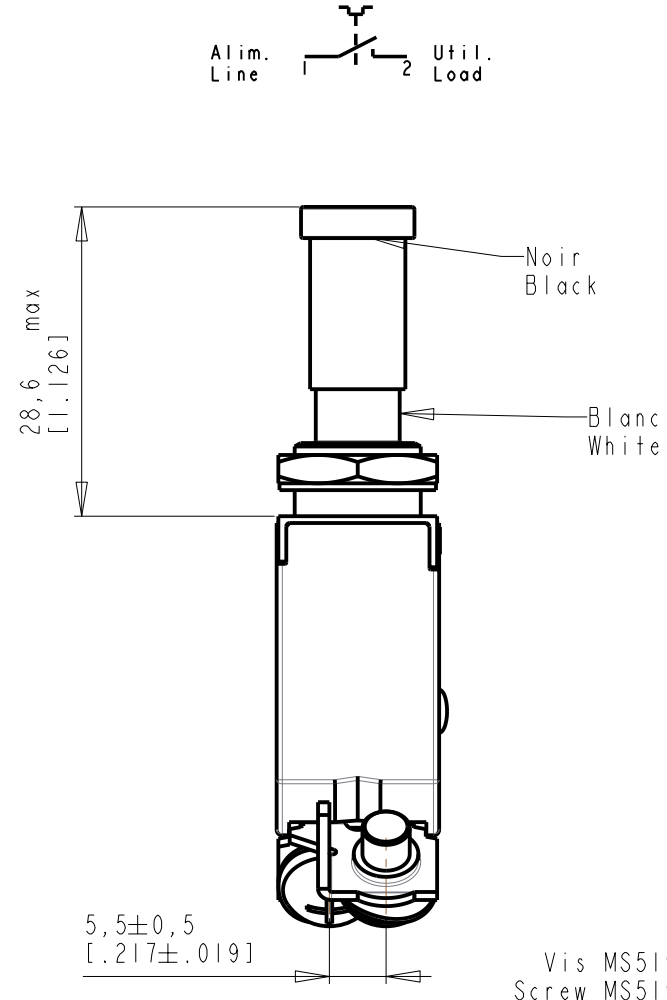
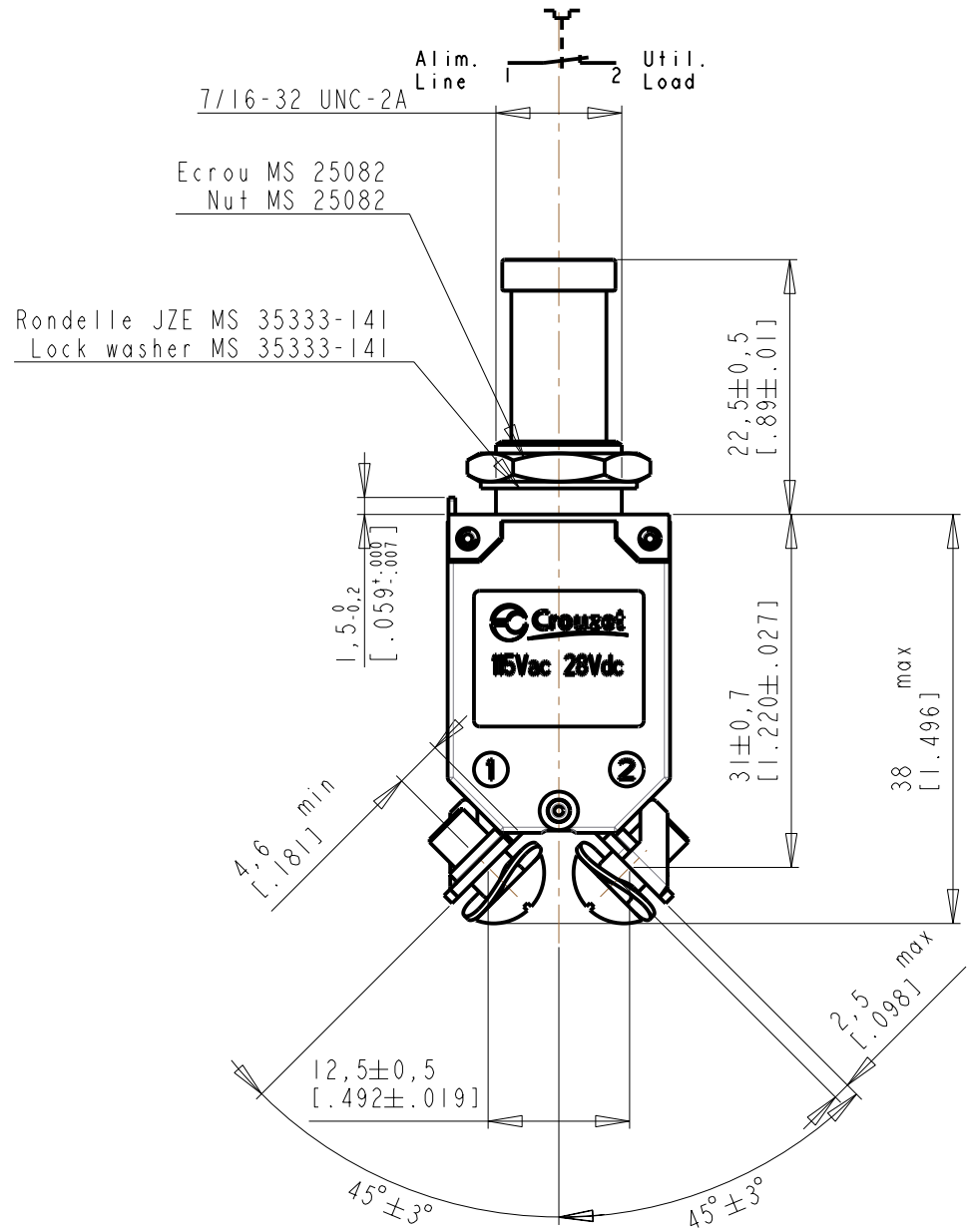
D

A

B

C

D



ECHELLE 1/1

Couple de serrage/Tightening torque :

Ecrou canon/Threaded Barrel :  
Recommande/Recommended : 4,0 +0,25 N.m (5,0 N.m max)

Vis de connection/terminal screw :  
Recommande/Recommended : 1,6 +0,1 N.m (2,0 N.m max)

A	Toler. gene. lin ± 0.2 mm		This document is the property of Crouzet-Automatismes. It's contents cannot be reproduced or divulged without the company's written approval. The product data and specifications found on this document do not constitute any contractual obligation. Crouzet-Automatismes and its subsidiaries reserve the right to modify the specifications. All rights of reproduction, modification, reprinting, and translation reserved for all countries.	Modified by	F_VILLE	09/10/2017
	Toler. gene. Ang ± 3 degrees			Verified by	D_MEUX	09/10/2017
General Raw surface Ra ✓		Customer: Designation/FR: <b>DISJONCTEUR THERMIQUE UNIPOLAIRE PUSH PULL MS3320L LONG NECK</b> Designation/GB: <b>SINGLE POLE THERMAL CIRCUIT BREAKER PUSH PULL MS3320L LONG NECK</b>		Authorized by	F_SALA	16/10/2017
2. rue du Dr ABEL BP 59. 26902. Valence CEDEX 9 France		Customer Ref.:		PFT001:<C>;<M>		
Request: -		Design by F_VILLE 09/10/2017 Verif. by D_MEUX 09/10/2017		Department <b>CT</b>		
NATO code: FA0X2		Authorized by		Index <b>A</b> Format <b>A3</b> Folio <b>1/2</b>		
		<b>DATA SHEET</b> <b>FT844001_001FR</b>				

Caracteristiques suivant / Features according to : AS33201 and MS3320

- Masse / Weight : 20g max
- Tension d'utilisation / Operating voltage : 28VDC - 115VAC 360-900Hz
- Temperature d'utilisation / Operational temperature limits : - 55 °C - +121 °C
- Endurance electromecanique / Electromechanical endurance : 5000 cycles a vide + 2500 cycles en charge (resistif-inductif cosfi 0.7)  
5000 without a load + 2500 cycles loaded (resistive-inductive power factor 0.7)
- Vibration sinus / Sinusoidale vibration : 10 g-PK condition A suivant MIL STD-202 methode 204D  
10 g-PK condition A according to MIL STD-202 method 204D
- Vibration aléatoire / Random vibration : 5.35 Grms condition A suivant MIL STD-202 methode 214A  
5.35 Grms condition A according to MIL STD-202 method 214A
- Choc mecanique / Mechanical shock : 50 g 11msec 3 demi-sinusoidale 6 directions  
50 g 11msec 3 half-sine 6 directions
- Corrosion / Corrosion : 48 heures brouillard salin  
Salt spray 48 hours
- Pouvoir de coupure / Breaking capacity : 2000A RMS @ 115V-400Hz \*voir note 1  
6000A @ 28VDC \*see note 1
- Chute de tension / Voltage drop

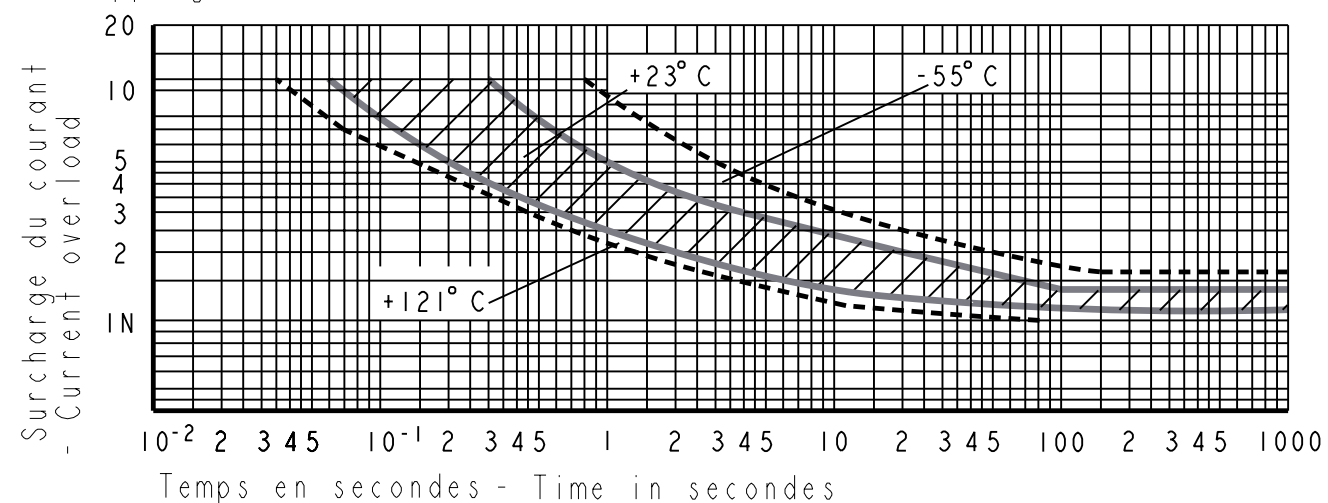
- Seuils et temps de declenchement :  
Thresholds and tripping time

Calibre rating	Temperature	Seuils declenchement non declenchement %In Trip and no trip thresholds %In		Temps de declenchement en seconde Tripping times in seconde		
		Declenchement Trip	Non declenchement Non trip	200 %In	500 %In	1000 %In
1A => 30A	- 55°C	160	115	35 max	2 max	0.4 max
1A => 30A	23 °C	138	115	1.5-40	0.15-3	0.035-0.8
1A => 25A	121 °C	138	100	1.5 min	0.2 min	0.04 min
30A	90°C	140	90	2 min	0.2 min	0.05 min

Calibre Rating	Volts
1A	1.10V max
2A	0.5V max
2 1/2A	0.6V max
3A	0.35V max
4A	0.35V max
5A	0.25V max
7 1/2A	0.20V max
10A	0.20V max
15A	0.15V max
20A	0.15V max
25A	0.15V max
30A	0.15V max



-Tripping curve



Documents associes / Associated documents	
Plan de marquage / Marking drawing	MA844001_001FR
Plan d'ensemble / Assembly drawing	79254001

- Reference Produit / Product reference

Calibre Rating	Reference produit / Product reference
1A	84-400-148
2A	84-400-149
2.5A	84-400-150
3A	84-400-151
4A	84-400-161
5A	84-400-152
7.5A	84-400-153
10A	84-400-154
15A	84-400-155
20A	84-400-156
25A	84-400-157
30A	84-400-158

Marquage produit / Marking product :

Reference -----> 84400151-3A  
 Norme / Standard -----> MS3320-3  
 Amendement / Amendment -----> AMDt:A

Date -----> YY-WW  
 YY : Annee / Year ( 2 digits)  
 WW : Semaine / Week (2 digits)

\* Note 1 :  
 Pour le calibre 30A, lors du test a 2000A et 6000A, l'ouverture permanente du disjoncteur (sans eclatement, de flammes ou fumees epaisses) est autorisee.  
 For rating 30A, during the test at 2000A and 6000A, the permanent opening of the circuit breaker (without bursting, flames or thick smokes) is allowed

<b>A</b>	Toler. gene. Lin ± 0.2 mm		This document is the property of Crozet-Automatismes. It's contents cannot be reproduced or divulged without the company's written approval. The product data and specifications found on this document do not constitute any contractual obligation. Crozet-Automatismes and its subsidiaries reserve the right to modify the specifications. All rights of reproduction, modification, reprinting, and translation reserved for all countries.	Modified by	F_VILLE	09/10/2017
	Toler. gene. Ang ± 3 degrees			Verified by	D_MEUX	09/10/2017
General Raw surface Ra ✓		Customer: _____ Customer Ref.: _____		Authorized by F_SALA 16/10/2017		
2, rue du Dr ABEL BP 59, 26902, Valence CEDEX 9 France		Designation/FR: <b>DISJONCTEUR THERMIQUE UNIPOLAIRE PUSH PULL MS3320L LONG NECK</b> Designation/GB: <b>SINGLE POLE THERMAL CIRCUIT BREAKER PUSH PULL MS3320L LONG NECK</b>		PFT001:<C>;<M> Department CT		
Request: -		Designed by F_VILLE 09/10/2017 Verified by D_MEUX 09/10/2017		Index A Format A3 Folio 2/2		
NATO code: FA0X2		Authorized by		<b>DATA SHEET</b> <b>FT844001_001FR</b>		