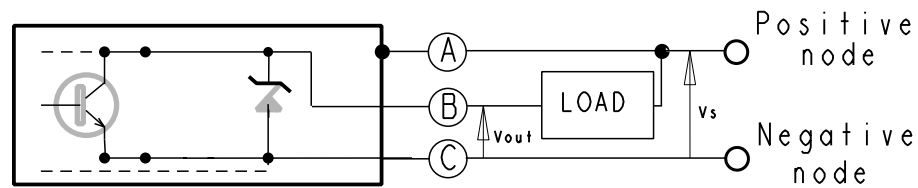
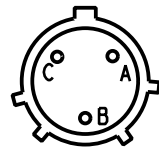


(A) ELECTRICAL CHARACTERISTICS

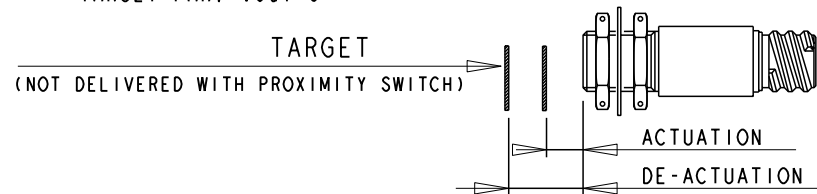
POWER SUPPLY : +28 VDC ±15%
 MAXIMUM VOLTAGE : 32,5 VDC
 ELECTRICAL CONTINUITY: 2.5mΩ MAX BETWEEN CASE AND CONNECTOR
 SWITCHING REPOSE TIME (T on AND T off) : 2ms MAX
 SWITCHING FREQUENCY : 100Hz max
 INSULATION RESISTANCE : 100MΩ/50VDC
 DIELECTRIC STRENGTH : 500VDC MINI/1min/1mA
 PROTECTION AGAINST POLARITY INVERSION

**CONNECTION
 WIRING DIAGRAM**

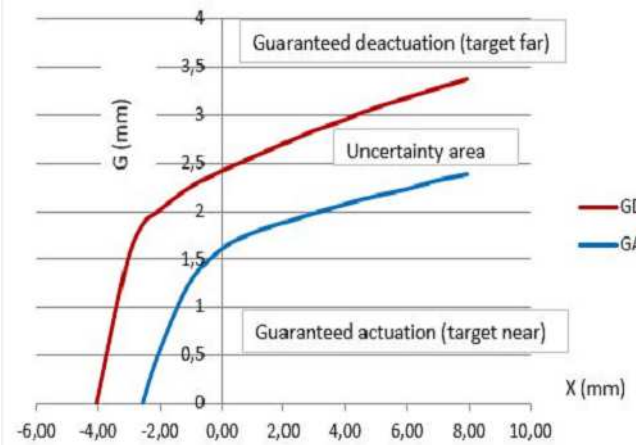


SWITCHING DISTANCE

TARGET IN FERRO MAGNETIC STEEL (Ex: 15-5PH)
 WITH 15.875mm (.625") DIAMETER AND 1mm (.04") THICKNESS MINIMUM.
 OUTPUT CONDUCTIVE WHEN TARGET IS IN DE-ACTUATION AREA (NORMALLY CLOSED).
 TARGET NEAR: $V_{out} = V_s$
 TARGET FAR: $V_{out} = 0$



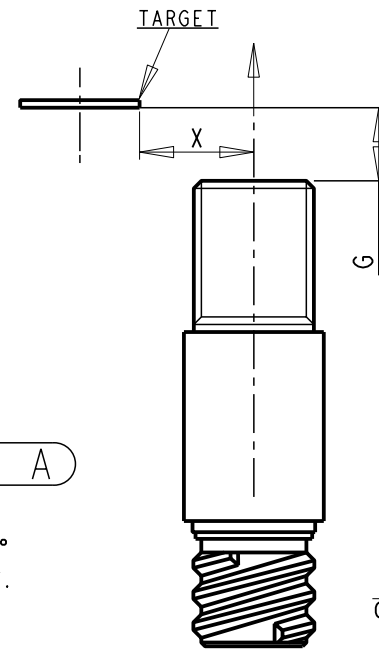
Head-on Actuation min $\geq 2.3\text{mm}$ (tested in ATP)
 Head-on De-actuation max $\leq 3.3\text{mm}$ (tested in ATP)



(B) ENVIRONMENT CHARACTERISTICS

OPERATING TEMPERATURE : RTCA DO160G SECTION 4 CATEGORY F2 (-55°C to +75°C)
 SHORT TIME OPERATING TEMPERATURE : RTCA DO160G SECTION 4 CATEGORY F2
 ALTITUDE : RTCA DO160G SECTION 4 CATEGORY D1
 TEMPERATURE VARIATION : RTCA DO160G SECTION 5 CATEGORY A
 HUMIDITY : RTCA DO160G SECTION 6 CATEGORY B
 SHOCKS AND CRASH SAFETY : RTCA DO160G SECTION 7 CATEGORY B
 VIBRATION : RTCA DO160G SECTION 8 CATEGORY S - CURVE E
 EXPLOSIVE ATMOSPHERE : RTCA DO160G SECTION 9 CATEGORY A
 WATERPROOFNESS : MIL-PRF-8805E WATERTIGHT SYMBOL 3
 FLUID SUCEPTIBILITY : RTCA DO 160G SECTION 11 CATEGORY F
 SAND AND DUST : RTCA DO160G SECTION 12 CATEGORY D
 FUNGUS : RTCA DO160G SECTION 13 CATEGORY F
 SALT SPRAY : RTCA DO160G SECTION 14 CATEGORY S
 MAGNETIC EFFECT : RTCA DO160G SECTION 15 CATEGORY A
 POWER INPUT : RTCA DO160D SECTION 16 CATEGORY Z
 VOLTAGE SPIKE : RTCA DO160G SECTION 17 CATEGORY A
 AUDIO FREQUENCY CONDUCTED SUSCEPTIBILITY : RTCA DO160G SECTION 18 CATEGORY Z
 INDUCED SIGNAL SUSCEPTIBILITY : RTCA DO160G SECTION 19 CATEGORY AC
 RADIO FREQUENCY SUSCEPTIBILITY : RTCA DO160G SECTION 20 CATEGORY Y
 EMISSION OF RADIO FREQUENCY ENERGY : RTCA DO160G SECTION 21 CATEGORY M
 LIGHTNING INDUCED TRANSIENT SUSCEPTIBILITY : RTCA DO160G SECTION 22 CATEGORY A3J3L3
 ICING : RTCA DO160G SECTION 24 CATEGORY A
 ELECTROSTATIC DISCHARGE : RTCA DO160G SECTION 25 CATEGORY A

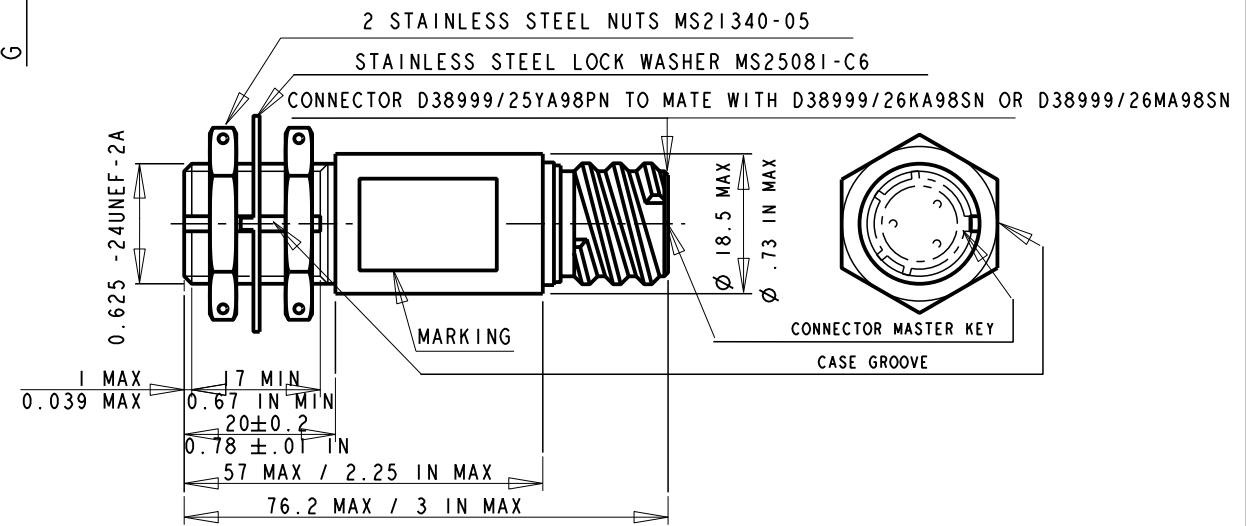
For fluids /
 Fuels: -Aviation Jet fuel (F34)
 Hydraulic fluids:
 -Phosphate ester type 4 (Skydrol 500b)
 -Mineral based (Mil-H-5606)
 De Icing fluid: -ethylene Glycol
 Lubricating oil: -turbo oil 2380
 Solvents and cleaning fluid:
 -Isopropyl alcohol



VIEW A

-DETECTION OVER 360°
 -ATP TEST AS FOLLOW.

MECHANICAL CHARACTERISTICS



MATERIAL : STAINLESS STEEL AISI 303 INCLUDING FRONT FACE
 TIGHTENING TORQUE : 10Nm MAX (88 INLBS)
 WEIGHT : 70g MAXI (2,5 OZ)

(C) WIRING

PROXIMITY SWITCH MUST BE USED WITH AWG 24 (MINIMUM DIAMETER)
 TWISTED & SCHIELED WIRES (E M I)
 WIRING EXTERNAL TO FUSELAGE MUST HAVE 360° SHIELD BOND

84793050

Product:

A	CREATION	Modified by	M_VERDIER	06/06/2017
	IA2016057	Verified by	PE_BONNET	06/06/2017
		Authorized by	F_SALA	06/06/2017
Toler. gene. Lin ± / mm		This document is the property of Crouzet-Automatismes. It's contents cannot be reproduced or divulged without the company's written approval. The product data and specifications found on this document do not constitute any contractual obligation. Crouzet-Automatismes and its subsidiaries reserve the right to modify the specifications. All rights of reproduction, modification, reprinting, and translation reserved for all countries.		
Toler. gene. Ang ± / degrees				
CROUZET	General Raw surface	Scale 1/1		
2. rue du Dr ABEL BP 59. 26902. Valence CEDEX 9 France	Customer: CATALOG PRODUCT	Customer Ref.:	NA	
	Designation/FR: DETECTEUR DE PROXIMITE	PFT001:0<C>;0<M>		
	Designation/GB: PROXIMITY SWITCH	Department CT		
Request: --	Designed by M_VERDIER 06/06/2017	DATA SHEET FT84793050GB		
	Verified by PE_BONNET 06/06/2017			
NATO code: FA0X2	Authorized by F_SALA 06/06/2017	Index	Format	Folio
		A	A3	1/1