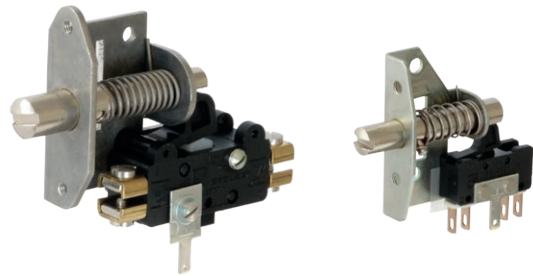


DOOR SWITCHES - WITH LATCHING FUNCTION

83523 / 83528

- › Double-break flexible leaf snap-action mechanism for precise operation
- › Compact size, narrow profile - Robust construction, metal plunger and bracket
- › Latching mode, with auto reset at next actuation
- › Changeover-SPDT microswitch as standard
- › One, two and three-pole configurations
- › Very long life
- › Ratings from 1 mA 4 V_{DC} to 10 A 250 V_{AC}
- › Operating temperature -40 °C up to +125 °C
- › Choice of connections



Main specifications

	Heavy duty		Miniature	
	1-pole 835230	2-pole 835233	1-pole 835280	2-pole 835283
Function	Connections			
I (changeover)	W1 (screw)			
I (changeover)	W2 (solder)			
I (changeover)	W3 (QC 6.3 x 0.8)			
Electrical characteristics				
Rating nominal / 250 V AC (A)	10	10	6	6
Rating thermal / 250 V AC (A)	17.5	17.5	11	11
Mechanical characteristics				
Maximum operating force (N)	30	30	7.5	7.5
Maximum total travel force (N)	35	35	10	10
Pretravel (mm)	3	3	2.5	2.5
Total travel (mm)	6	6	6	6
Differential travel (mm)	1	1	1	1
Ambient operating temperature (°C)	-40 → +85	-40 → +85	-40 → +125	-40 → +125
Mechanical life (operations)	10 ⁷	10 ⁷	10 ⁷	10 ⁷
Weight (g)	40	55	18	23

Additional specifications

- Plunger: nickel-plated brass (83523), nickel-plated steel (83528)
- Mounting bracket: zinc-plated steel
- Contacts: silver alloy (gold-plated silver alloy: on request)
- Terminals: brass (except W2: copper nickel)
- Degree of protection: IP40 (mechanism)
- Protection against electric shock: Class I
- Rated insulation voltage U_i: 250 V (for U_i 400 V, please consult us)
- Impulse withstand voltage U_{imp}: 2.5 kV
- Pollution degree: 3
- Certification marks: on request /

Product adaptations



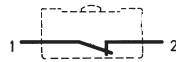
- › Functions on request: normally closed (R) or normally open (C) SPST microswitches
- › Adjustable plunger on 83528: 6 mm setting range (SP3141)
- › Hexagon socket head plunger
- › 3-pole configuration: 835236
- › High DC switching capacity on 83523: 5 A 250 V_{DC} (with 83154 microswitches)
- › Dual-current variants with gold-plated contacts for use from 1 mA to 5 A
- › Built-in screw connections on 83523 (with 83112 microswitches)
- › High operating temperature on 83523: + 125 °C
- › cURus approved models

Principles (per pole)

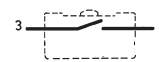
Double break snap-action switch
Changeover - SPDT (form Za)



Normally closed - SPST-NC (form Y)



Normally open - SPST-NO (form X)



Both circuits must be used at same polarity

Operation:

Normal mode: plunger automatically returns to rest position when released

Latching mode: depress the plunger and turn it a quarter-turn to latch. Then depress to unlatch (back to normal mode).

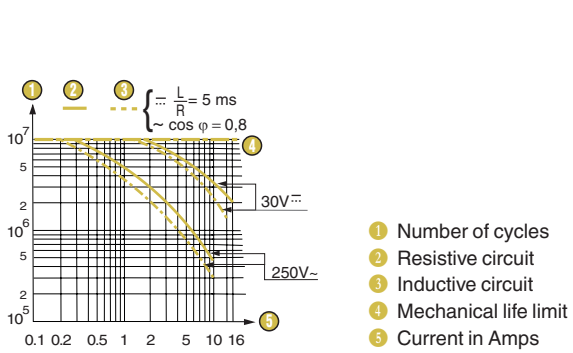
Standard product

Product made to order

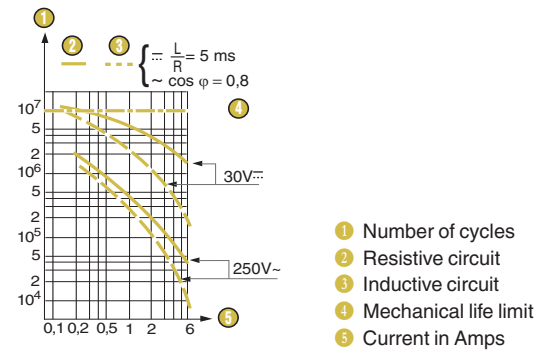
Contact us

Curves

Operating curve for type 83523



Operating curve for type 83528

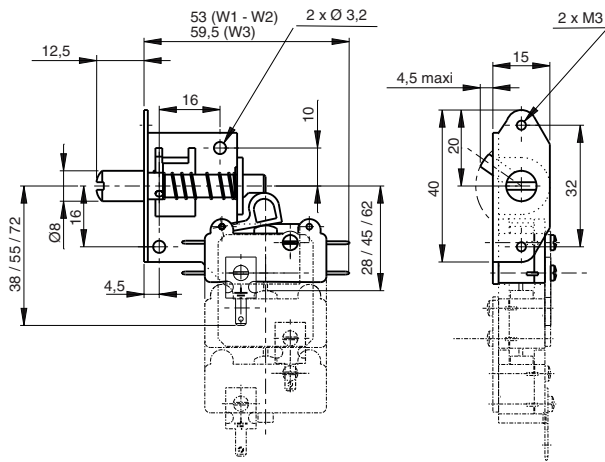


* Dual-current variants are designed to operate equally well on low-current (1 mA 4 V minimum recommended) or medium-current (5 A maximum) circuits. However, a given product should only be used to switch one type of circuit during its working life.

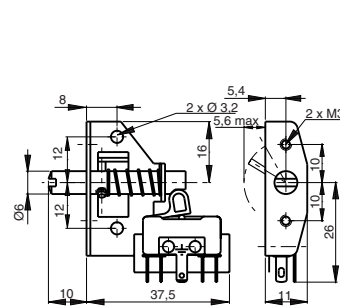
Dimensions

Products

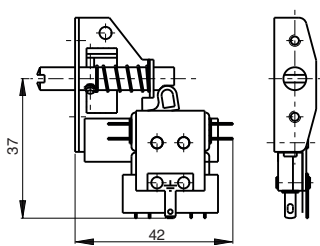
835230 - 835233 - 835236



835280

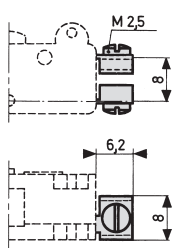


835283

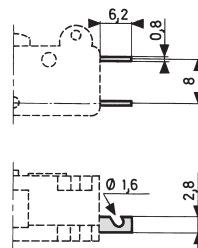


Connections

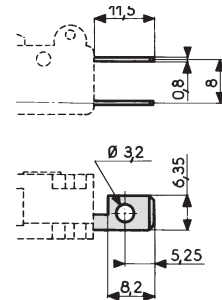
W1 screw with clamp (83523)

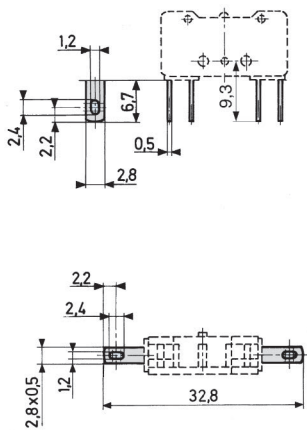


W2 solder (83523)



W3 quick-connect 6.3 x 0.8 (83523)



W2 solder or quick-connect 2.8 x 0.5 (83528)**Installation recommendations**

See "Basic technical concepts"

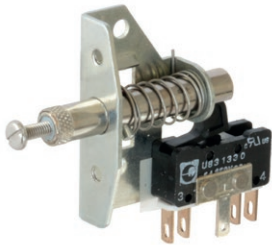
How to order

Use the 8 digit part numbers when they are defined

Other cases, precise: Type of switch / nb of poles - Function - Connection - UL approval* - Adaptation*

* if needed

Example: 835233 I W3 UL

Examples of special adaptations

83528 with adjustable plunger

(SP3141)

Setting range: 6 mm

Warning:

The product information contained in this catalogue is given purely as information and does not constitute a representation, warranty or any form of contractual commitment. Crouzet Automatismes SAS and its subsidiaries reserve the right to modify their products without notice. It is imperative that we should be consulted over any particular use or application of our products and it is the responsibility of the buyer to establish, particularly through all the appropriate tests, that the product is suitable for the use or application. Under no circumstances will our warranty apply, nor shall we be held responsible for any application (such as any modification, addition, deletion, use in conjunction with other electrical or electronic components, circuits or assemblies, or any other unsuitable material or substance) which has not been expressly agreed by us prior to the sale of our products.