

30 W motors with built-in electronic control SNI10 800400 - Connector Part number 80040002



Ideal for small variable-speed automated systems

- Flexible : 4-quadrant variable speed control
- Complete : brake, encoder and class B EMC-compliant
- Discreet : compact and quiet
- Open : compatible with our logic controller PLCs
- High performance : excellent efficiency and long service life
- Safety measures on locking : torque limitation and automatic stop after 1 second

Part numbers

| Type | Speed control | References |
|-----------------------------|----------------|----------------|
| 80040002 800400 - Connector | 0-10 V and PWM | Without option |

Specifications

| | |
|--------------------|-------------|
| Supply voltage (V) | 24 (18 →28) |
|--------------------|-------------|

No-load characteristics

| | |
|-------------------------|------|
| Speed of rotation (rpm) | 3100 |
| Absorbed current (A) | 0,2 |

Nominal characteristics

| | |
|----------------------|------|
| Speed (rpm) | 2200 |
| Torque (mNm) | 140 |
| Absorbed current (A) | 1,9 |

Maximum characteristics

| | |
|----------------------|-----|
| Start torque (mNm) | 220 |
| Starting current (A) | 3,0 |

General characteristics

| | |
|---|------------|
| Speed regulation | 2 |
| Conformity to EMC Directive in accordance with (EN 55022) | B |
| Insulation class (conforming to IEC 85) | B (120 °C) |
| Casing temperature rise at 40 °C ambient max. (°C) | 15 |
| Thermal time constant (mn) | 15 |
| Inertia (g.cm ²) | 50 |
| Weight (g) | 800 |
| Acoustic pressure at 50 cm (dBA) | 40 |
| Service life L10 (h) | 20 000 |
| Connection via connector on the cable | - |
| Connection via connector built into the motor | C12 |
| Supplied with connection accessory (bundle of wires) | Yes |
| Protection index | IP40 |

0-10 V speed input characteristics

| | |
|------------------------|------|
| Input impedance (kΩ) | 10 |
| Full scale speed (rpm) | 3100 |

PWM speed input characteristics

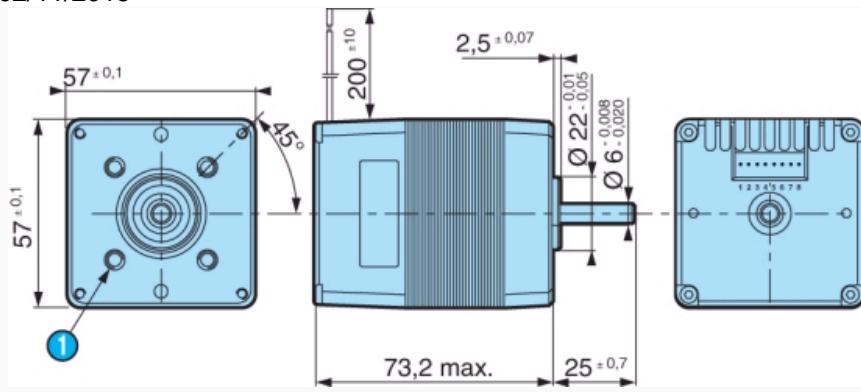
| | |
|-----------------------------|-----------|
| Input impedance (kΩ) | 10 |
| Level 0 input voltage (VDC) | < 1,7 |
| Level 1 input voltage (V) | > 3 |
| Frequency range (Hz) | 150 →5000 |
| Full scale speed (rpm) | 3100 |

Relay output characteristics

| | |
|-------------------|-----|
| Type of output | NPN |
| Max. current (mA) | 50 |

Dimensions (mm)

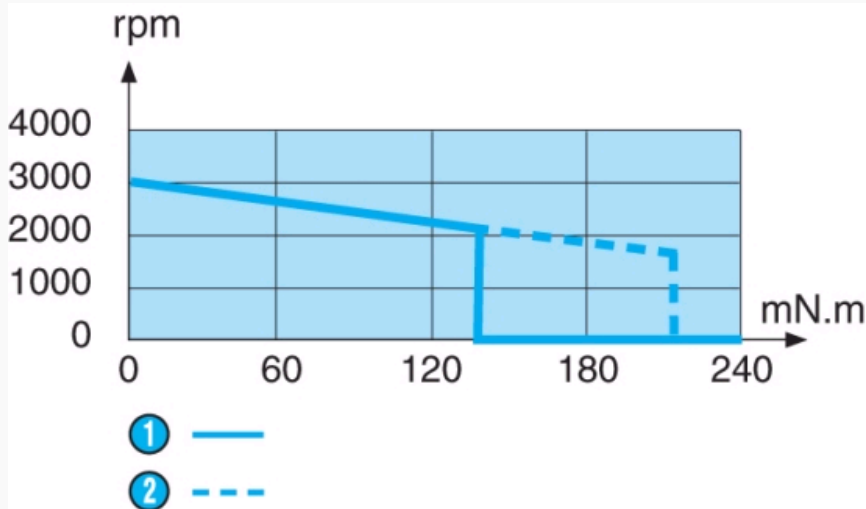
Version IP40 - 800400



| N° | Legend |
|----|---|
| ① | 4 holes M5 x 0.86 H at 90° over Ø 40 depth of thread 4.5 min. |

Curves

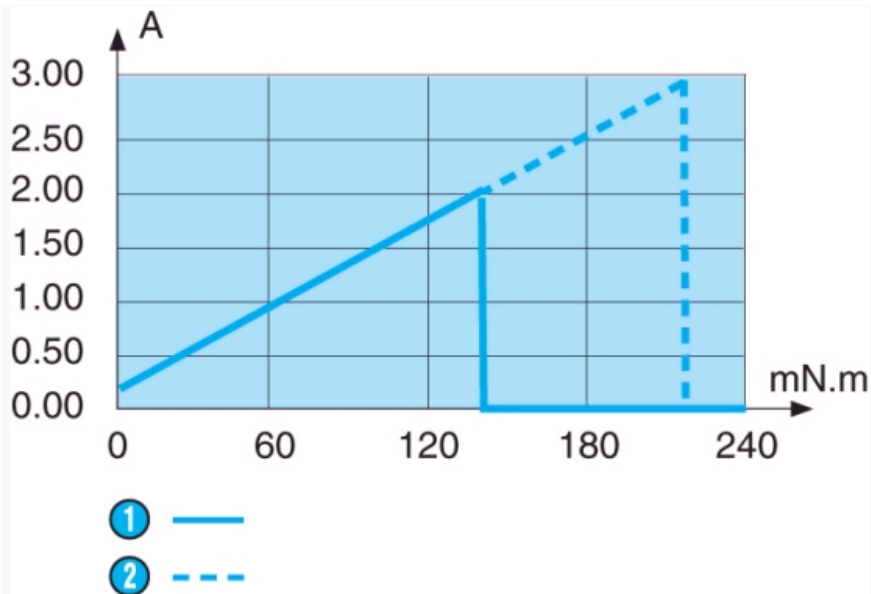
Speed/torque



| N° | Legend |
|----|----------------------|
| ① | Continuous operation |
| ② | Cyclic operation |

Curves

Current/torque



| N° | Legend |
|----|----------------------|
| ① | Continuous operation |
| ② | Cyclic operation |

Connections

Version IP40 - 800400

| Marking on motor | Function | Wire colour |
|------------------|------------------------------|-------------|
| 1 *a | Power ground supply | Black |
| 2 *a | 24 V or 36 V power supply | Red |
| 3 | Signal ground | Blue |
| 4 | 0-10 volts speed setpoint | Brown |
| 5 | PWM speed setpoint | Orange |
| 6 | Direction input | Yellow |
| 7 | On/off input | Green |
| 8 *b | 12 points/rev encoder output | White |

Use a connector of type AMP MTA 100 640 400-8 or use the pre-assembled connector + AWG22 lead supplied with the motor.

Precautions for use

Necessary precautions to avoid damaging the motor

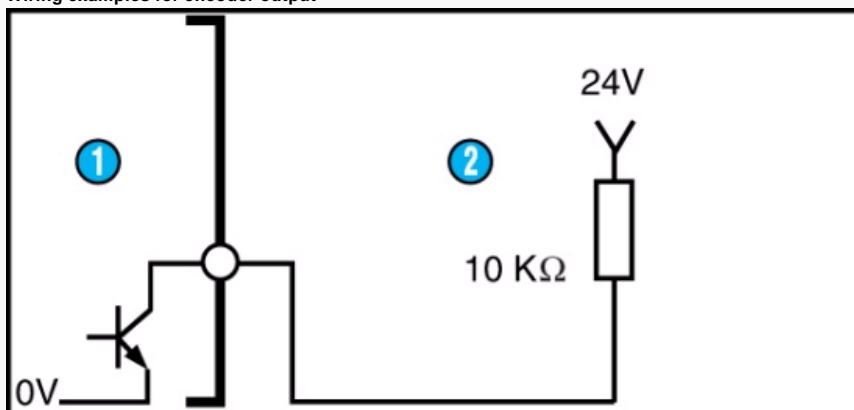
*a) Do not reverse the polarity

*b) Do not short-circuit the encoder output (NPN) at the power supply

Do not use the motor as a generator

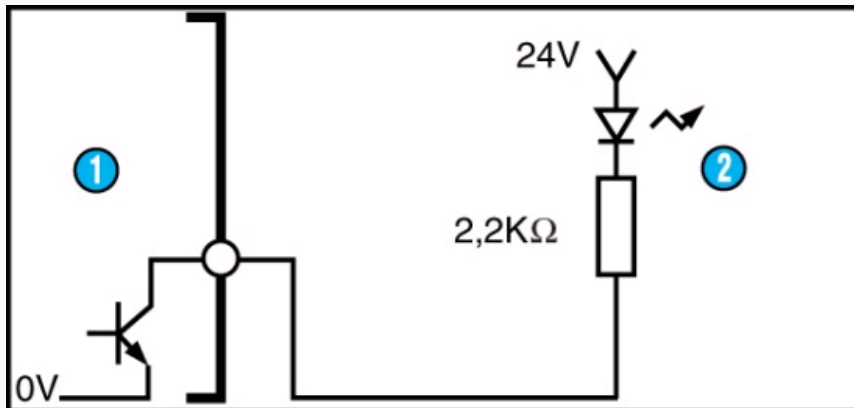
Applications

Wiring examples for encoder output



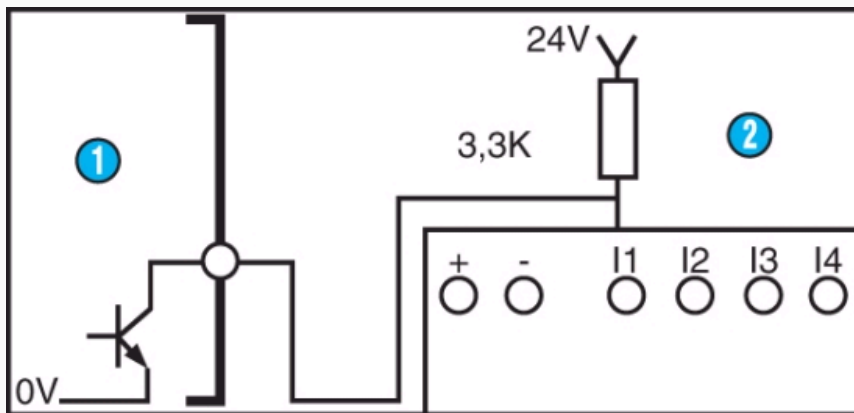
| N° | Legend |
|----|----------------|
| ① | Motor |
| ② | Resistive load |

Applications



| N° | Legend |
|----|----------|
| ① | Motor |
| ② | LED load |

Applications



| N° | Legend |
|----|----------------------------|
| ① | Motor |
| ② | Millenium logic controller |

Product adaptations



- 4- or 2-quadrant speed regulation, open or closed loop
- With built-in electronic card TNi20
- No lead output but connector in motor
- Dimensions of motor shaft (Ø 2 to 8, lengths, pinion sized to shaft, etc.)
- Cable length, with or without connector