

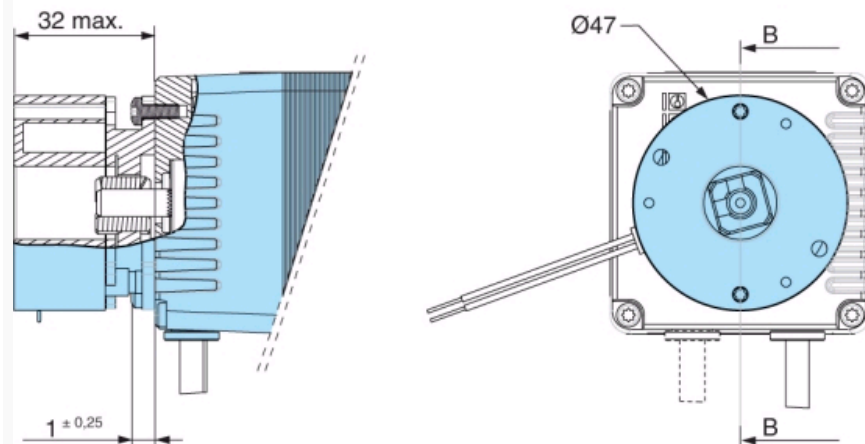


N°	Legend
①	4 holes M5 over $\varnothing$ 40 mm - depth of thread : 4.5 mm - depth of hole 6.6 mm
②	D : $\varnothing$ 6 - 0.010 - 0.020 mm
	L : 73.2 mm max.

### Dimensions (mm)

#### Holding brake - 80140518

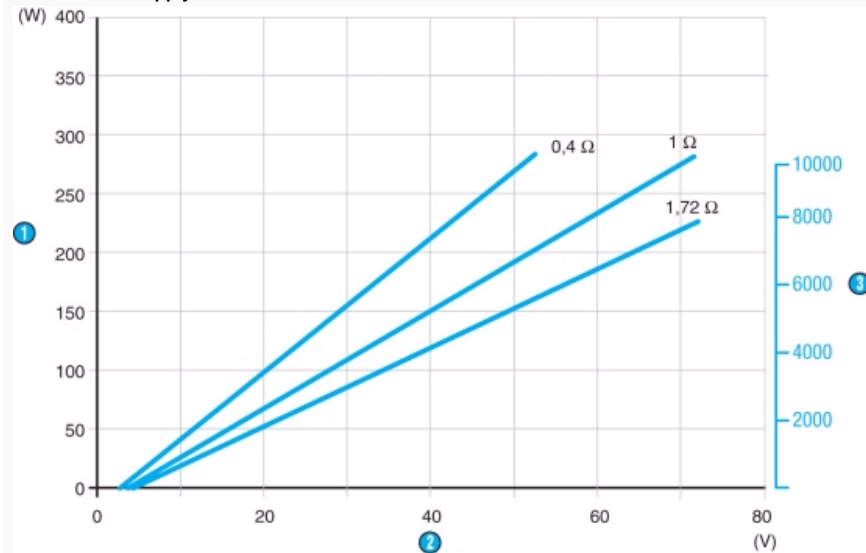
B-B



Holding brake : At power switch off - 0.5 Nm - 7 W - 24 V  $\pm$  10% Weight : 250 g - AWG26 leads - 400 mm

### Curves

#### Power/Power supply




N°	Legend
①	Nominal power
②	Supply voltage
③	Speeds (rpm)

### Connections

Forward

Hall			①		
1	2	3	1	2	3
1	0	0	0V	+V $\equiv$	-
1	1	0	0V	-	+V $\equiv$
0	1	0	-	0V	+V $\equiv$
0	1	1	+V $\equiv$	0V	-
0	0	1	+V $\equiv$	-	0V
1	0	1	-	+V $\equiv$	0V




N°	Legend
①	Winding

### Connections

#### Reverse

Hall			①		
1	2	3	1	2	3
1	0	0	+V $\equiv$	0V	-
1	0	1	-	0V	+V $\equiv$
0	0	1	0V	-	+V $\equiv$
0	1	1	0V	+V $\equiv$	-
0	1	0	-	+V $\equiv$	0V
1	1	0	+V $\equiv$	-	0V



N°	Legend
①	Winding

### Connections

Part number 801405

Wire colour	Connection name	Wire gauge (AWG)
Black	Winding 1	<b>20</b>
Brown	Winding 2	<b>20</b>
Red	Winding 3	<b>20</b>
Red	+ Hall power supply	<b>24</b>
Black	- Hall power supply (return)	<b>24</b>
Yellow	Sonde temp.	<b>24</b>
Orange	Hall 1	<b>24</b>
Brown	Hall 2	<b>24</b>
Green	Hall 3	<b>24</b>

Hall effect : Voltage range : 4.5 24 VDC Max. current : 20 mA Type of output : NPN open collector Not protected against connection errors

#### Other information

For other standard windings visit [www.crouzet.com](http://www.crouzet.com)

#### Precautions for use

Not protected against connection errors

#### Product adaptations



- Special shafts
- Lead length
- A single cable instead of two
- C12 connector built in
- 200, 500, 1000 points/revolution encoder
- Shorter motor