

› Electronic Counters

Hour Counter

CTR24

- › Display: 8-digit LCD, height 8 mm
- › Built-in module for voltage inputs 10 →260 V $\overline{\sim}$
- › 4 timing ranges: 99.999.99 hrs - 99.999.59 hrs - 999.999.9 s - 9.999 hrs 59 min 59 s
- › Powered by a lithium battery, service life 8 years
- › Reset on panel or external with inhibition option
- › Accessories for 50 x 25 mm cut-out
- › Highly resistant to shocks and impacts
- › Excellent visibility due to the large digit size



CTR24

Product selection			
Model	Type	Functions	Part Number
CTR24 non-backlit	2224	Hour counter, voltage input	87622170

Accessories	
Description	Part Number
Adaptor for 50 x 25 mm cut-out - Fixed with screws	26546843
Adaptor for 50 x 25 mm cut-out - Fixed with screws	26546844
DIN rail adaptor	26546840
Clip-fixing kit (supplied with the product)	26546848

General characteristics	
Physical details and protection	
Consumption	Backlighting: 24 V $\overline{\sim}$ \pm 20 % 50 mA
Connection by 8 screw terminals at rear of casing	•
Connection capacity	1.5 mm ²
Fixed using bracket	•
Degree of protection front face	IP 65
Temperature limits use (°C)	-10 →+60
Temperature limits stored (°C)	-20 →+70
Breakdown voltage	According to EN 610110-1: 2000 V/50 Hz/1 min.
Conformity to standards	EN 61000-6-2 - EN 55011 class B
Altitude (m)	2000
Certifications	UL - cULus - CE
Weight (g)	50

You have a project? Contact us on www.crouzet.com

Description:

Crouzet Hour Meters, accurate and durable solutions for time measurement needs

Crouzet's hour meters are reliable electronic devices designed for measuring and recording time in industrial applications.

Crouzet's hour meters accurately track the duration of operation, providing essential information for maintenance scheduling and equipment monitoring.

For more information about: please visit www.crouzet.com

Operating characteristics

Function	Hour counter
Display	8-digit LCD
Height digits (mm)	8
Time ranges	0 → 99 999.99 h 0 → 99 999.59 h 0 → 9 999 999.9 s 0 → 9 999 h 59 min 59 s
Input impedance	•

Input 2224

One start/stop input Two voltage levels (terminals 3-6)	•
Voltage - Terminals 1-2	10 → 260 V _~
Input impedance	160 kΩ
Minimum pulse time DC (ms)	100
Minimum pulse time AC (ms)	100
Low level	0 → 2 V _~
High level	10 → 260 V _~

Reset to zero - External 2224

Voltage - Terminals 2-3	•
Minimum pulse time (ms)	16
Low level	0 → 2 V _~
High level	10 → 260 V _~

Reset to zero - Panel

Reset via	Inhibited: Terminals 4-6 not connected Active: Terminals 4-6 connected
-----------	---

Supply

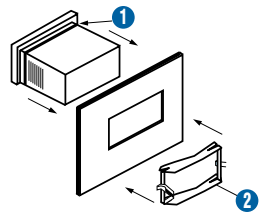
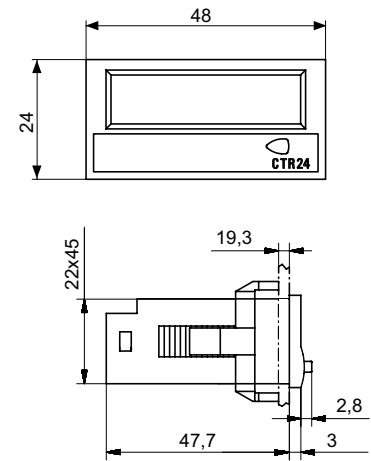
1 lithium battery - Life (years)	8
----------------------------------	---

Dimensions (mm)

Panel Mounted

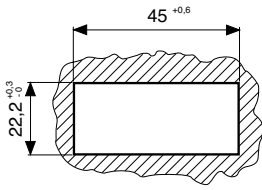
CTR24

Fixing strip with clip-on yoke

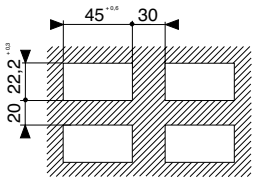


- 1 Seal
- 2 Fixing yoke

Panel Cut-out



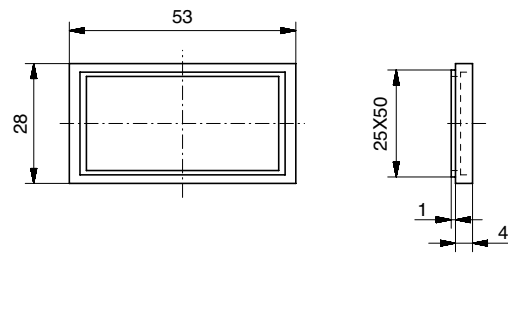
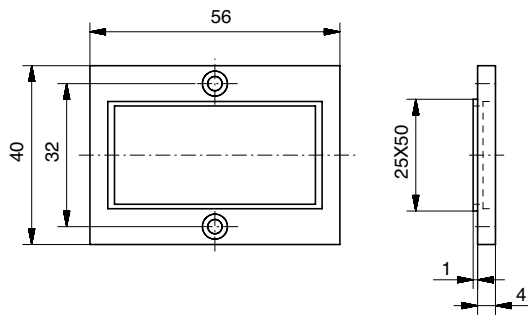
4 appliances



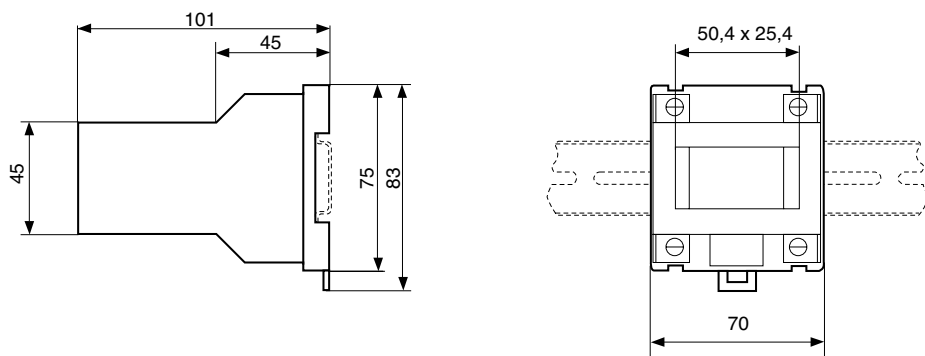
Accessories

26546843 - Adaptor for 50 x 25 mm cut-out - Fixed with screws

26546844 - Adaptor for 50 x 25 mm cut-out - Fixed with clips



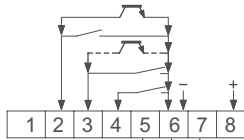
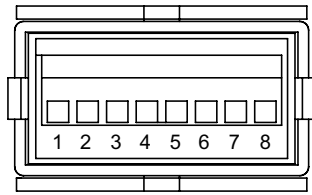
26546840 - DIN rail adaptor



Accessory supplied with the counter

Connections

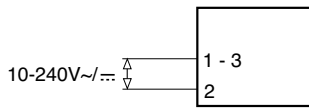
2224



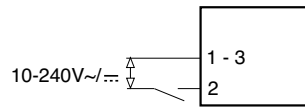
9999h59m59s			
9999999.9s	●	●	
99999h59m		●	●
99999.99h	●	●	

- ① Start/Stop input
- ② AC/DC common
- ③ Reset input
- ④ Enable panel reset
- ⑤ Mode 1 (Time selection)
- ⑥ 0 V common/ (BL- only 23xx)
- ⑦ Mode 2 (Time selection)
- ⑧ Backlighting option + 24 V $\overline{\text{DC}}$ (only 2324)

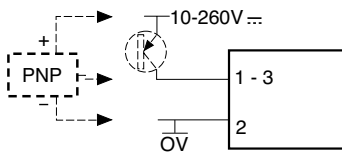
Start/Stop or reset input - Contact supplied with power



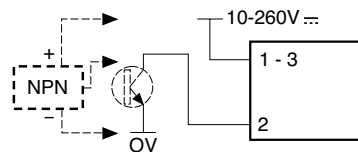
Start/Stop or reset input PNP Transistor or 3-wire PNP proximity sensor for leakage current detector < 1 mA



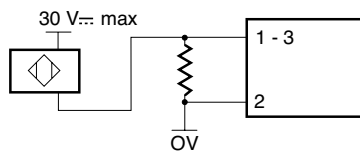
Start/Stop or reset input NPN Transistor or 3-wire NPN proximity sensor for leakage current detector < 1 mA



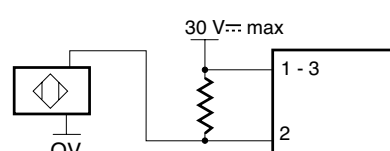
Start/Stop or reset input: 2-wire proximity sensor R=470 Ω /2 W for 2-wire leakage current detector \leq 1 mA



Start/Stop or reset input: 2-wire proximity sensor R=470 Ω /2 W for 2-wire leakage current detector \leq 1 mA



Start/Stop or reset input: 2-wire proximity sensor R=470 Ω /2 W for 2-wire leakage current detector \leq 1 mA



Warning:

The product information contained in this catalogue is given purely as information and does not constitute a representation, warranty or any form of contractual commitment. Crouzet and its subsidiaries reserve the right to modify their products without notice. It is imperative that we should be consulted over any particular use or application of our products and it is the responsibility of the buyer to establish, particularly through all the appropriate tests, that the product is suitable for the use or application. Under no circumstances will our warranty apply, nor shall we be held responsible for any application (such as any modification, addition, deletion, use in conjunction with other electrical or electronic components, circuits or assemblies, or any other unsuitable material or substance) which has not been expressly agreed by us prior to the sale of our products.