

› Electronic Counters

2 Impulses Counters

CTR24L

- › High brightness display: 6-digit LED, height 8 mm
- › Maximum input frequency 50 k Hz
- › Counter with 2 separate totalizers and a common input (INPA)
- › Reset on panel or external with inhibition option
- › Supply: 10 → 30 V $\overline{\text{DC}}$
- › Easy to program
- › Scaling factor
- › Decimal point
- › Accessories for 50 x 25 mm cut-out
- › Highly resistant to shocks and impacts
- › Excellent visibility due to the large digit size



CTR24L

Product selection			
Model	Type	Functions	Part Number
CTR24L	2514	Counter with 2 separate totalizers and a common input	87623573

Accessories	
Description	Part Number
Adaptor for 50 x 25 mm cut-out - Fixed with screws	26546843
Adaptor for 50 x 25 mm cut-out - Fixed with screws	26546844
DIN rail adaptor	26546840
Clip-fixing kit (supplied with the product)	26546848

General characteristics	
Physical details and protection	
Consumption	10 → 30 V $\overline{\text{DC}}$ max 55 mA with protection against polarity reversal
Connection by 5 screw terminals at rear of casing	•
Connection capacity	1.5 mm ²
Fixed using bracket	•
Degree of protection front face	IP 65
Data memory	EEPROM
Temperature limits use (°C)	-20 → +55
Temperature limits stored (°C)	-25 → +70
Breakdown voltage	According to EN 610110-1: 2000 V/50 Hz/1 min.
Conformity to standards	EN 61000-6-2 - EN 55011 class B
Altitude (m)	2000
Certifications	UL - cULus - CE
Weight (g)	50

You have a project? Contact us on www.crouzet.com

Description:

Crouzet Impulse Counters, accurate and durable solutions for pulse measurement needs

Crouzet's electronic impulse counters are reliable devices designed for measuring and recording electrical impulses in industrial applications. Crouzet's impulse counters use a combination of mechanical and electrical components to precisely count electrical pulses, offering a reliable solution for various industrial control and monitoring tasks.

For more information about: please visit www.crouzet.com

Operating characteristics

Function	Counter with 2 separate totalizers and a common input
Display	6-digit LED
Height digits (mm)	8

Input specifications

Inputs	1 counter input (INPA), 1 reset input
Low level	0 → 0.2 x Ub VDC
High level	0.6 x Ub → 30 V _{DC}
Cyclical ratio	Any (maximum frequency given for a cyclical ratio = 1/1) Schmitt trigger input
Polarity	NPN or PNP for all inputs (programming)
Minimum impulse duration for reset (ms)	5
Frequency of filtered input (Hz)	Filter active: 30 Filter disabled: maximum frequency (programming)
Input impedance (kΩ)	Appr.5

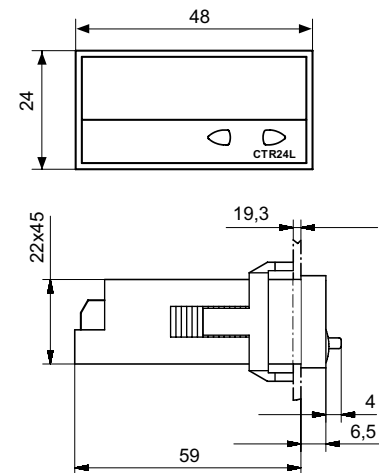
Compteur d'impulsions (Partiel - Totalisateur)

Display details	0 → 999 999
Display	When the buttons are pressed, the counter displays the following values: Total 1 Total 2
Elimination of non-significant zeros	•
Counting input modes	INPA input counting
Inputs INPA	Dynamic
Reset input (terminal 5)	Dynamic Reset input connected in parallel with the red SET/RESET button
Reset to zero - Panel	If not locked during programming
Remise à zéro - Externe (borne 5)	If not locked during programming
Scale factor	1 → 99.9999 (separate for A and B)
Scaling factor	1 → 99.9999 (separate for A and B)
Decimal point	0 0.0 0.00 0.000
Maximum counting frequency	50 k Hz

Dimensions (mm)

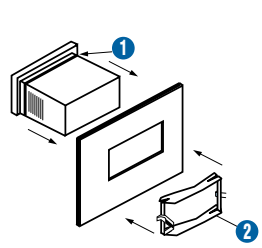
Panel Mounted

CTRL24

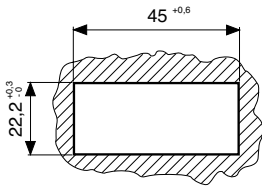


- ① Seal
- ② Fixing yoke

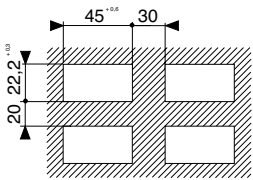
Fixing strip with clip-on yoke



Panel Cut-out



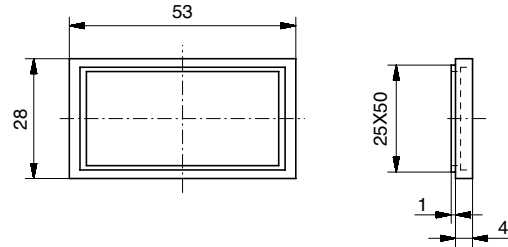
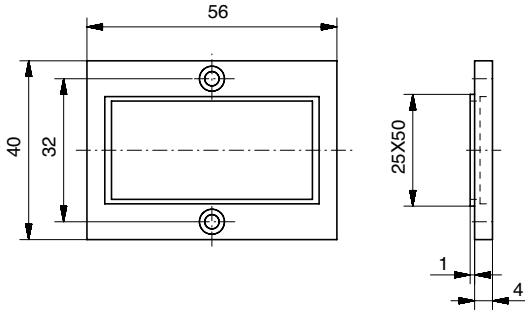
4 appliances



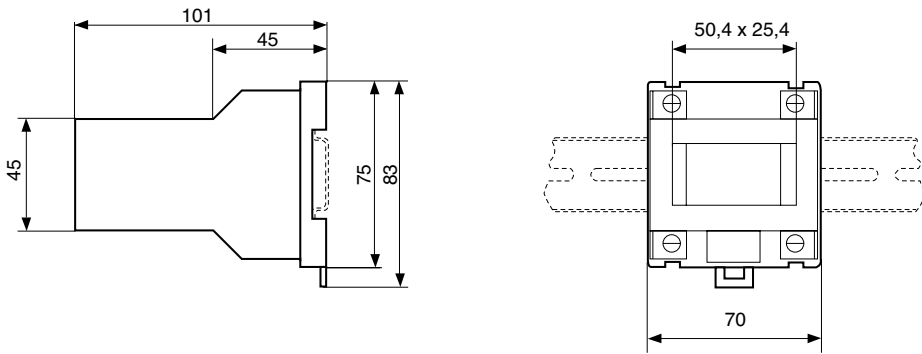
Accessories

26546843 - Adaptor for 50 x 25 mm cut-out - Fixed with screws

26546844 - Adaptor for 50 x 25 mm cut-out - Fixed with clips



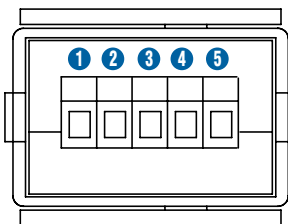
26546840 - DIN rail adaptor



Accessory supplied with the counter

Connections

2514

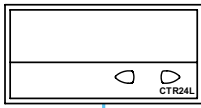


- 1 Supply: 10 → 30 V_~
- 2 Supply: GND (0 V_~)
- 3 INPA
- 4 NC
- 5 SET/RESET

Applications

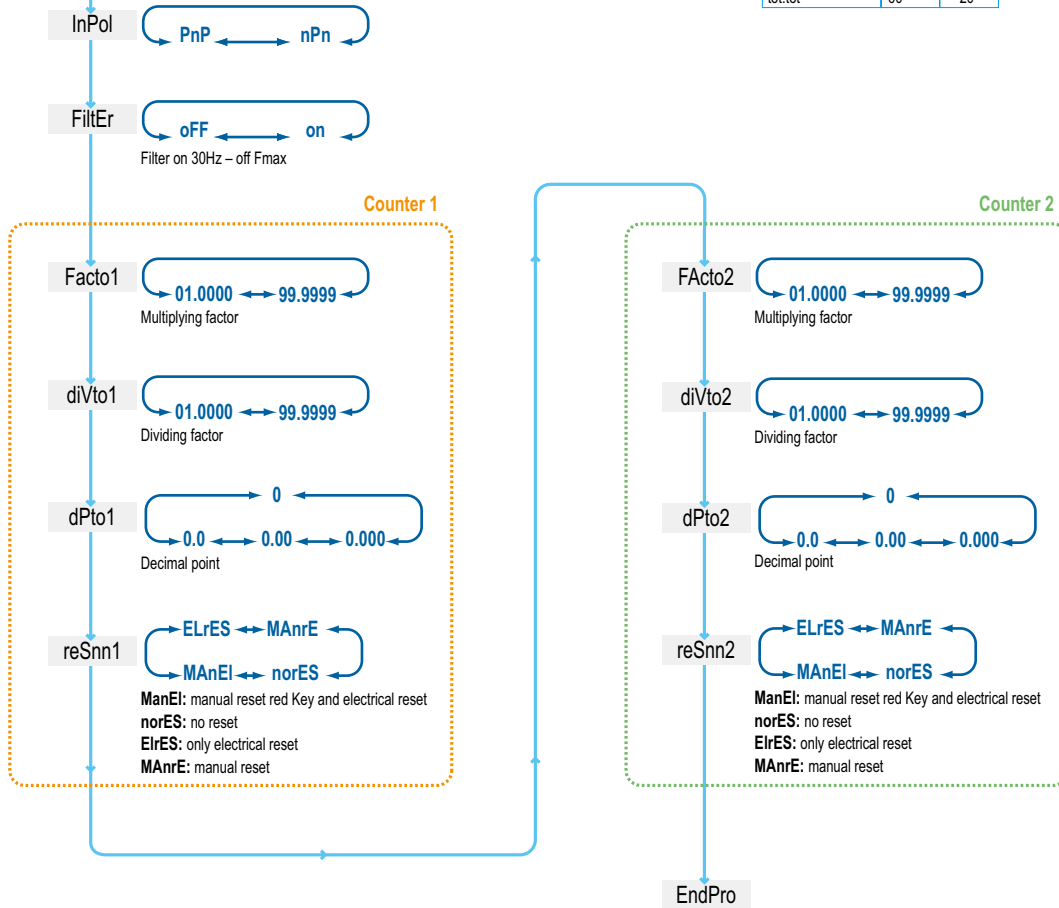
Programming diagram

2514

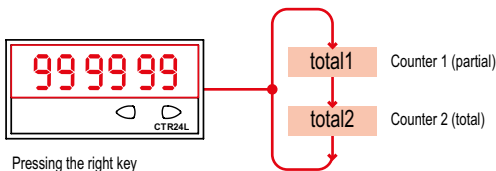


Count frequency:

DC power supply	24V	12V
Input level	Standard	
typ. low level	2.5V	2.0V
typ. high level	22.0V	10V
Fmax*	kHz	kHz
tot.tot	60	20



SELECTION OF THE DISPLAYED VALUE



Pressing the right key displays successively the following various values

Warning:

The product information contained in this catalogue is given purely as information and does not constitute a representation, warranty or any form of contractual commitment. Crouzet and its subsidiaries reserve the right to modify their products without notice. It is imperative that we should be consulted over any particular use or application of our products and it is the responsibility of the buyer to establish, particularly through all the appropriate tests, that the product is suitable for the use or application. Under no circumstances will our warranty apply, nor shall we be held responsible for any application (such as any modification, addition, deletion, use in conjunction with other electrical or electronic components, circuits or assemblies, or any other unsuitable material or substance) which has not been expressly agreed by us prior to the sale of our products.