

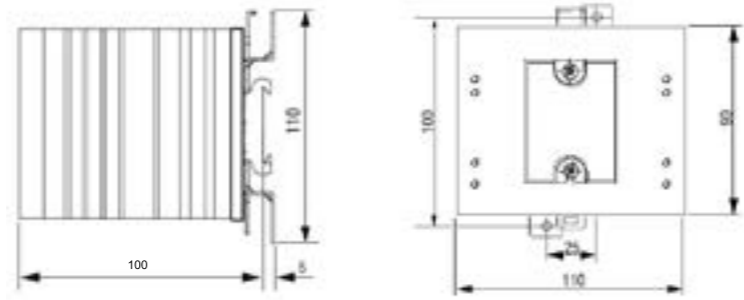
HEATSINK & MOUNTING KIT

Selection guide			
Description	Dimensions	Weight	Part Number
Heatsink, 0.9 °C/W	110 x 100 x 90 mm	1458 g	26532752N
Heatsink, 1.1 °C/W	89,8 x 81 x 98 mm	485 g	26532753N
Heatsink, 1.2 °C/W	100 x 40 x 100 mm	547 g	26532754N
Heatsink, 1.75 °C/W	45 x 73.5 x 100 mm	355 g	26532755N
Heatsink, 2.2 °C/W	45 x 73.5 x 100 mm	290 g	26532756N
Heatsink screw mounting kit, for SSRs with Hockey Puck shape	100 x 60 x 10 mm	40 g	26532001
Heatsink screw mounting kit, for 3-phase SSRs	100 x 60 x 10 mm	40 g	26532002

HEATSINK, 0.9 °C/W

Part Number: **26532752N**

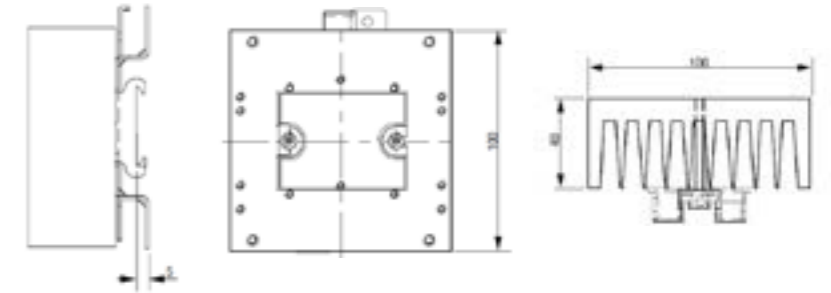
Dimensions: 110 x 100 x 90 mm | Weight: 1458 g



HEATSINK, 1.2 °C/W

Part Number: **26532754N**

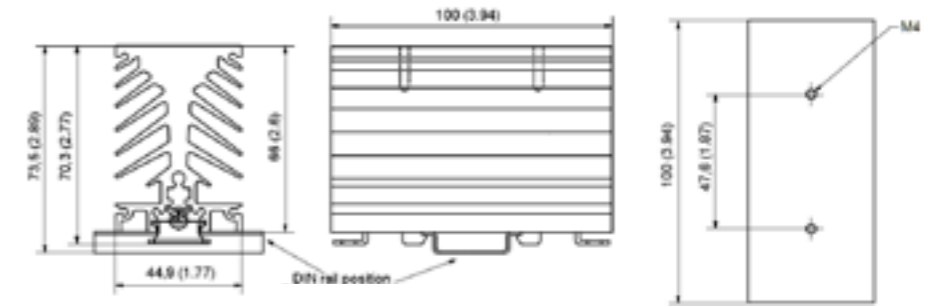
Dimensions: 100 x 40 x 100 mm | Weight: 547 g



HEATSINK, 1.75 °C/W

Part Number: **26532755N**

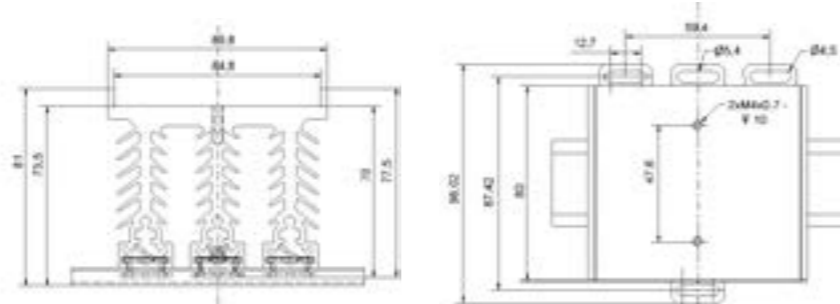
Dimensions: 45 x 73.5 x 100 mm | Weight: 355 g



HEATSINK, 1.1 °C/W

Part Number: **26532753N**

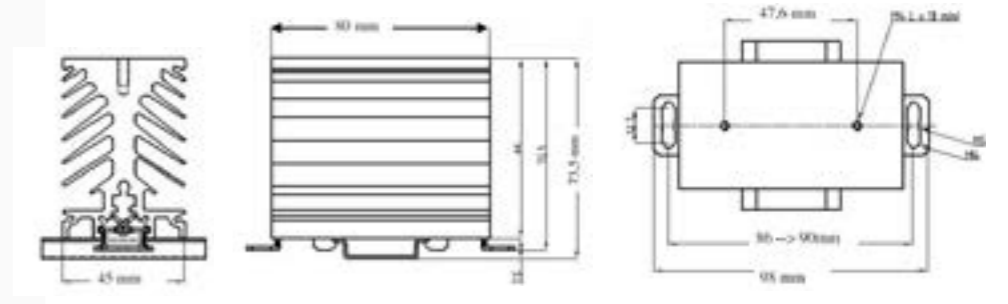
Dimensions: 89,8 x 81 x 98 mm | Weight: 485 g



HEATSINK, 2.2 °C/W

Part Number: **26532756N**

Dimensions: 45 x 73.5 x 100 mm | Weight: 290 g



Heatsink screw mounting kit, for SSRs with Hockey Puck shape

Part Number: **26532001**



Heatsink screw mounting kit, for 3-phase SSRs

Part Number: **26532002**



THERMAL PAD & GREASE

Selection guide			
Description	Dimensions	Weight	Part Number
Thermal Pad, Pre-cut	44.5 x 57.5 x 0.06 mm	5 g	26532720N
Thermal Pad, Sticker	36.8 x 36.8 x 0.06 mm	5 g	26532722N
Thermal Grease	130 x 55 x 25 mm	70 g	26532003
ID Tag	16 x 8 x 1 mm	1 g	26532004

THERMAL PAD | PRE-CUT

Part Number: **26532720N**

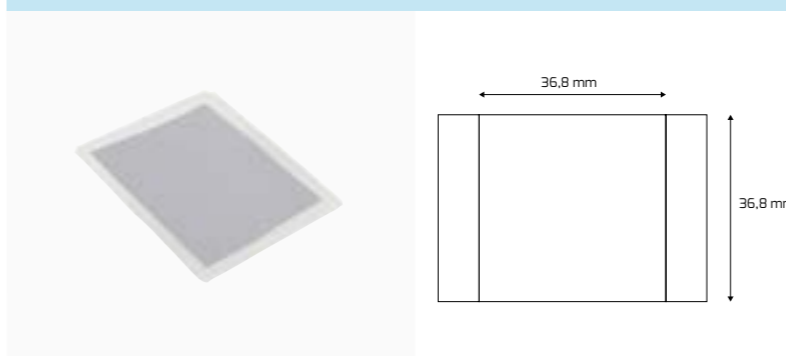
Dimensions: **44.5 x 57.5 x 0.06 mm** | Weight: **6 g**

Thickness	0.003" (0.076mm)
Density	2.1 g/cc
Phase change softening temperature	52 °C
Maximum use temperature	200 °C
Thermal Impedance @ 5 psi	0.03 °C-in ² /W
Thermal Impedance @ 34.5 Kpa	0.193 °C-cm ² /W

THERMAL PAD | STICKER

Part Number: **26532722N**

Dimensions: **36.8 x 36.8 x 0.06 mm** | Weight: **5 g**



THERMAL GREASE

Part Number: **26532003**

Dimensions: **130 x 55 x 25 mm** | Weight: **70 g**



Color	White
Base	Blend of synthetic fluids
Thermo-conductive Component	Powdered metal oxides
Thermal Conductivity	0.9 W/m.k
Density @20 °C	2.04 g/cm ³
Temperature range	-50 °C → +170 °C
Weight Loss after 168 hours @ 170 °C	0.98 %
Permittivity @ 10 ⁶ Hz:	4.2
Specific Resistance	1 x 10 ¹⁴ Ω/cm
Dielectric Strength	42 kV/mm
Penetration	210-250

ID TAG

Part Number: **26532004N**

Dimensions: **16 x 8 x 1 mm** | Weight: **1 g**

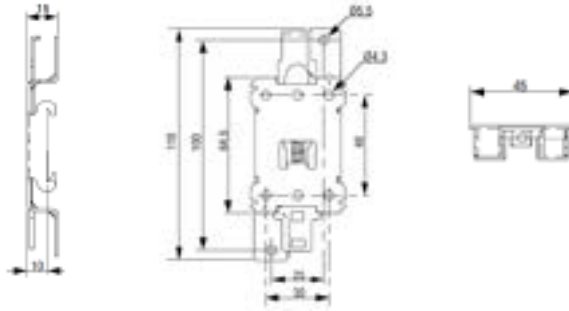
For GNR, GNRS, GNR3, GN3, GND

ADAPTOR

Selection guide			
Description	Dimensions	Weight	Part Number
DIN Rail Adaptor for SSRs with Hockey Puck shape	110 x 45 x 15 mm	65 g	26532764N

Part Number: **26532764N**

Dimensions: **110 x 45 x 15 mm** | Weight: **65 g**



CONNECTORS

Selection guide			
Description	Dimensions	Weight	Part Number
GN2, 4-Pin, 4 pole 90° & 270° set-screw connector	23 x 19 x 27 mm	13 g	26532005
GN2, 4-Pin, 4 pole 270° set-screw connector	15 x 12 x 20 mm	7 g	26532006

Part Number: **26532005**

Dimensions: **23 x 19 x 27 mm** | Weight: **13 g**

Part Number: **26532006**

Dimensions: **15 x 12 x 20 mm** | Weight: **7 g**

