

1

2

3

4

A

B

C

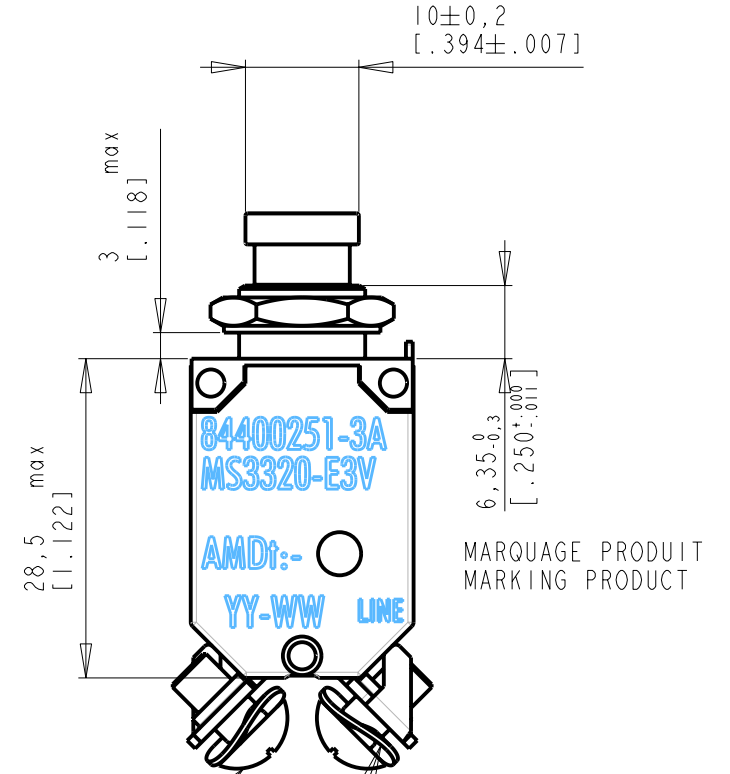
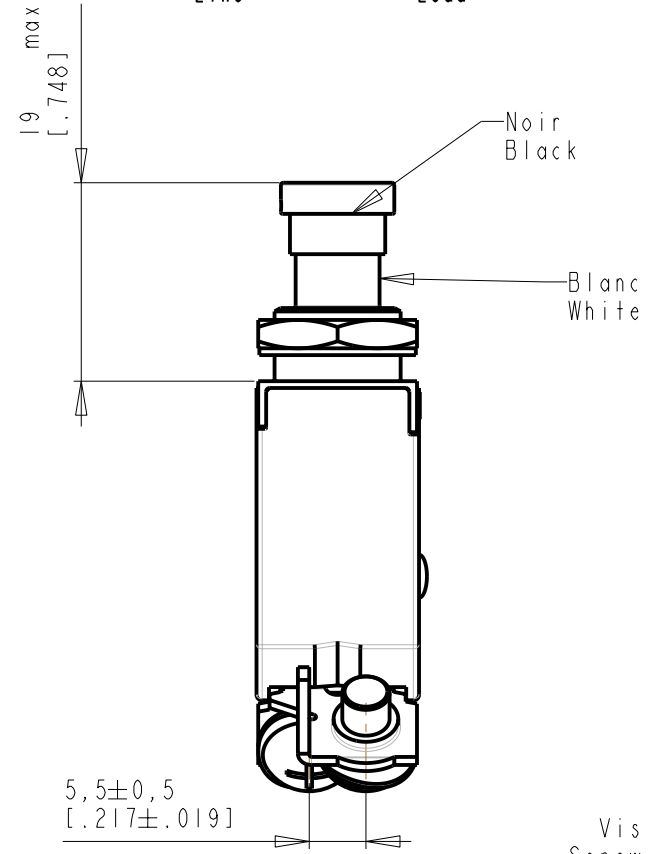
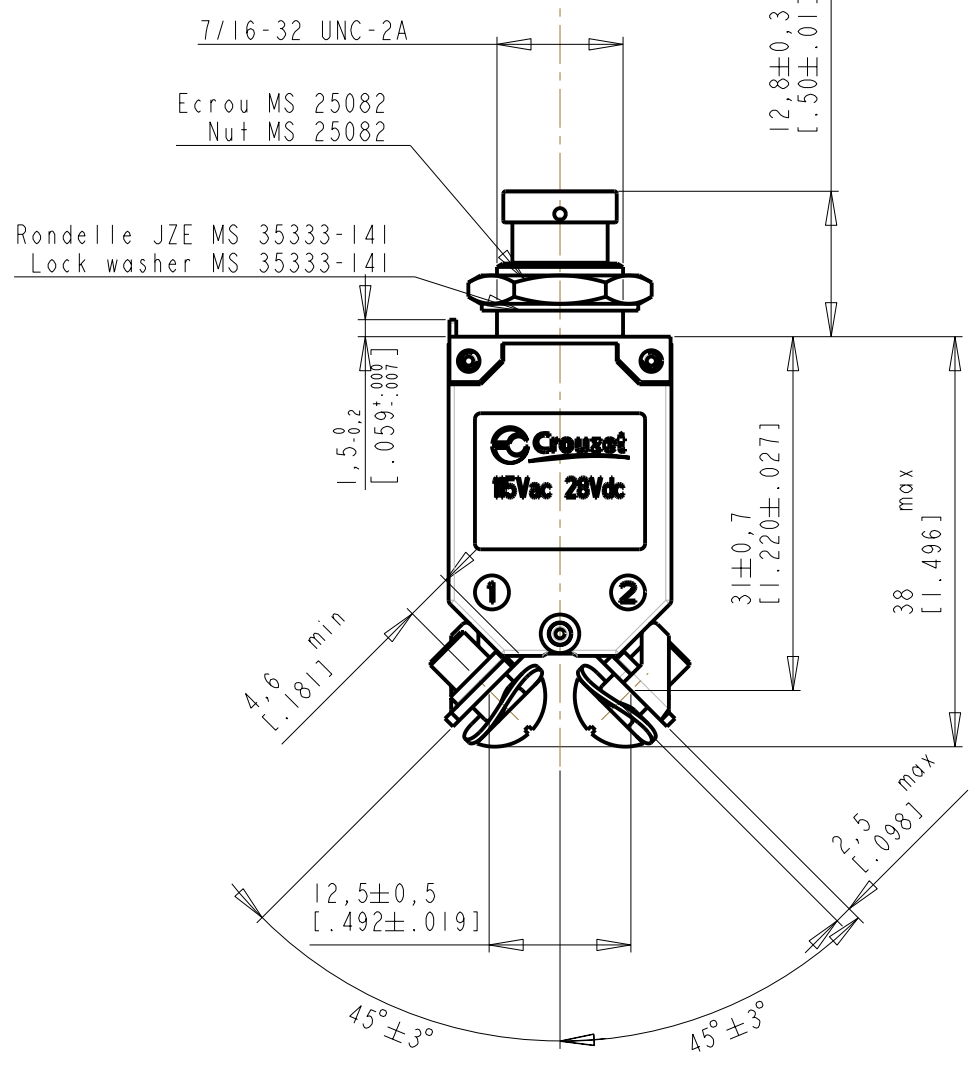
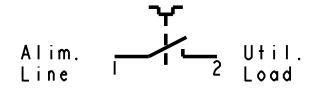
D

A

B

C

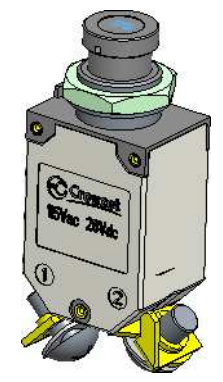
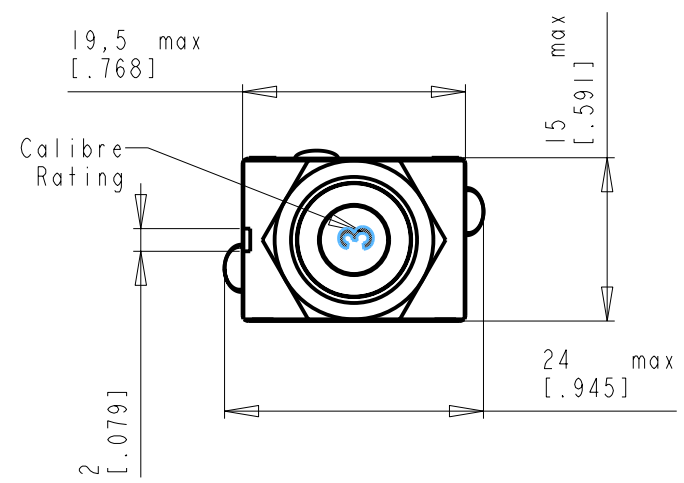
D



MARQUAGE PRODUIT
MARKING PRODUCT

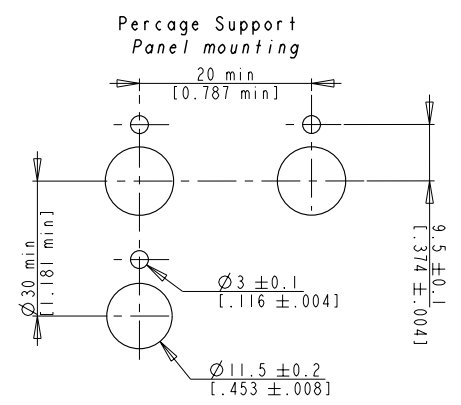
Vis MS51957-41 ou equivalent
Screw MS51957-41 or equivalent

Rondelle MS 35338-137 ou equivalent
Spring MS 35338-137 or equivalent



ECHELLE 1/1

Couple de serrage/Tightening torque :
 Ecrou canon/Threaded Barrel :
 Recommande/Recommended : 4,0 +-0,25 N.m (5,0 N.m max)
 Vis de connection/terminal screw :
 Recommande/Recommended : 1,6 +-0,1 N.m (2,0 N.m max)



E	M&J des caracteristiques vibratoires	Modified by	M_VERDIER	12/09/2019
		Verified by	D_MEUX	12/09/2019
		Authorized by	F_SALA	12/09/2019
Toler. gene. lin ± 0.2 mm		This document is the property of Crouzet-Automatismes. It's contents cannot be reproduced or divulged without the company's written approval. The product data and specifications found on this document do not constitute any contractual obligation. Crouzet-Automatismes and its subsidiaries reserve the right to modify the specifications. All rights of reproduction, modification, reprinting, and translation reserved for all countries.		
Toler. gene. Ang ± 3 degrees				
CROUZET	General Raw surface Ra ✓	Scale 3/2		
2. rue du Dr ABEL BP 59. 26902. Valence CEDEX 9 France	Customer:	Customer Ref.:		PFT001:<C>;<M>
	Designation/FR: DISJONCTEUR THERMIQUE UNIPOLAIRE PUSH PULL MS3320 HAUTE VIB			
	Designation/GB: SINGLE POLE THERMAL CIRCUIT BREAKER PUSH PULL MS3320 HIGH VIB	Department		CT
Request:	Design by F_VILLE 13/11/2014	DATA SHEET		
C.C.T.DEF.01759.FR	Verif. by D_MEUX 13/11/2014			
NATO_code: FA0X2	Authorized by	FT844002_001FR		
		Index	Format	Folio
		E	A3	1/2

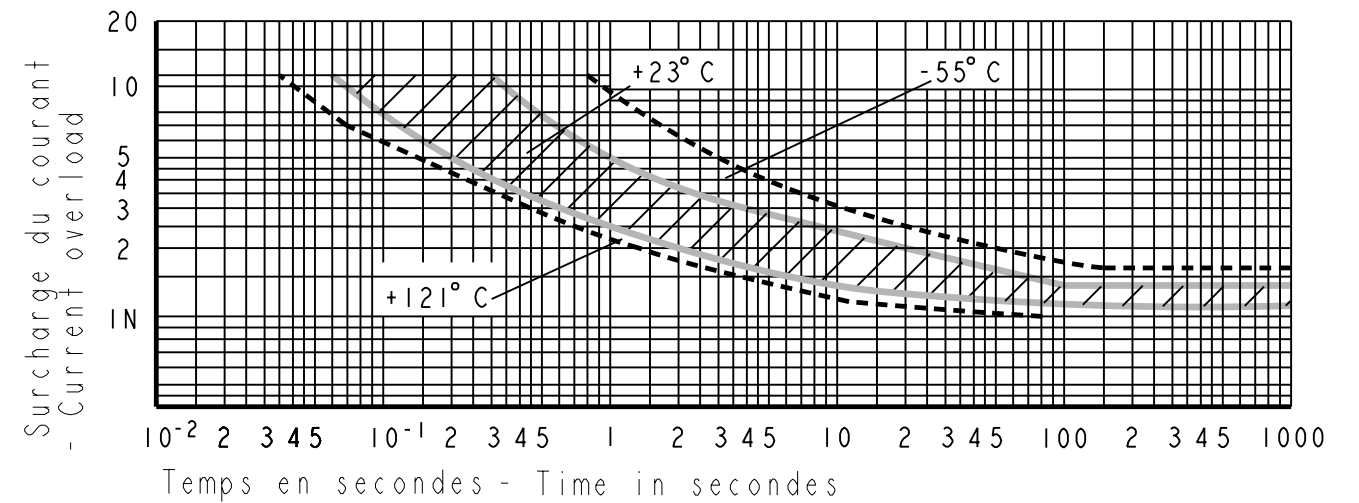
Caracteristiques suivant / Features according to : AS33201 and MS3320

- Masse / Weight : 20g max
- Tension d'utilisation / Operating voltage : 28VDC - 115VAC 360-900Hz
- Temperature d'utilisation / Operational temperature limits : - 55 °C - +121 °C
- Endurance electromecanique / Electromechanical endurance : 5000 cycles a vide + 2500 cycles en charge (resistif-inductif cosfi 0.7)
5000 without a load + 2500 cycles loaded (resistive-inductive power factor 0.7)
- Vibration sinus / Sinusoidale vibration : 15 g-PK condition B suivant MIL STD-202 methode 204D
15 g-PK condition B according to MIL STD-202 method 204D
- Vibration aléatoire / Random vibration : 16.9l Grms condition E suivant MIL STD-202 methode 214A
16.9l Grms condition E according to MIL STD-202 method 214A
- Choc mecanique / Mechanical shock : 75 g 6msec 3 demi-sinusoidale 6 directions
75 g 6msec 3 half-sine 6 directions
- Corrosion / Corrosion : 48 heures brouillard salin
Salt spray 48 hours
- Pouvoir de coupure / Breaking capacity : 2000A RMS @ 115V-400Hz *voir note 1
6000A @ 28VDC *see note 1
- Chute de tension / Voltage drop

- Seuils et temps de declenchement :
Thresholds and tripping time

Calibre rating	Temperature	Seuils declenchement non declenchement %In Trip and no trip thresholds %In		Temps de declenchement en seconde Tripping times in seconde		
		Declenchement Trip	Non declenchement Non trip	200 %In	500 %In	1000 %In
IA => 30A	- 55°C	160	115	35 max	2 max	0.4 max
IA => 30A	23 °C	138	115	1.5-40	0.15-3	0.035-0.8
IA => 25A	121 °C	138	100	1.5 min	0.2 min	0.04 min
30A	90°C	140	90	2 min	0.2 min	0.05 min

-Tripping curve



Extra MIL-STD-202 vibration capabilities :

Random vibration : condition H : 29,28 Grms (12 cycles 20 minutes per axis à 71°C with 100% of Rated Current)
Sinus Vibration : condition G : 30 g-PK (15 minutes per axis 71°C with 100% of Rated Current)

Calibre Rating	Volts
1A	1.10V max
2A	0.50V max
2 1/2A	0.60V max
3A	0.35V max
4A	0.35V max
5A	0.25V max
7 1/2A	0.20V max
10A	0.20V max
15A	0.15V max
20A	0.15V max
25A	0.15V max
30A	0.15V max



Documents associes / Associated documents

Plan de marquage / Marking drawing	MA844002_001FR
Plan d'ensemble / Assembly drawing	SP995000

- Reference Produit / Product reference

Calibre Rating	Reference produit / Product reference
1A	84400248
2A	84400249
2.5A	84400250
3A	84400251
4A	84400261
5A	84400252
7.5A	84400253
10A	84400254
15A	84400255
20A	84400256
25A	84400257
30A	84400258

Marquage produit / Marking product :

Reference -----> 84400251-3A (sauf 25 et 30A)
Norme / Standard -----> MS3320-E3V (sauf 25 et 30A)
Amendement / Amendment -----> AMDt:A

Date -----> YY-WW
YY : Annee / Year (2 digits)
WW : Semaine / Week (2 digits)

E	M&J des caracteristiques vibratoires	Modified by	M_VERDIER	12/09/2019
		Verified by	D_MEUX	12/09/2019
		Authorized by	F_SALA	12/09/2019
Toler. gene. lin ± 0.2 mm		This document is the property of Crozet-Automatismes. It's contents cannot be reproduced or divulged without the company's written approval. The product data and specifications found on this document do not constitute any contractual obligation. Crozet-Automatismes and its subsidiaries reserve the right to modify the specifications. All rights of reproduction, modification, reprinting, and translation reserved for all countries.		
Toler. gene. Ang ± 3 degrees				
General Raw surface Ra ✓		Scale 1/1		
2, rue du Dr ABEL BP 59, 26902, Valence CEDEX 9 France		Customer:		Customer Ref.:
Request:		Designation/FR: DISJONCTEUR THERMIQUE UNIPOLAIRE PUSH PULL MS3320 HAUTE VIB Designation/GB: SINGLE POLE THERMAL CIRCUIT BREAKER PUSH PULL MS3320 HIGH VIB		PFT001:<C>;<M>
C.C.T.DEF.01759.FR		Designed by F_VILLE 13/11/2014 Verified by D_MEUX 13/11/2014		Department CT
NATO code: FA0X2		Authorized by		Index E
DATA SHEET				Format A3
FT844002_001FR				Folio 2/2

* Note 1 :
Pour le calibre 30A, lors du test a 2000A et 6000A, l'ouverture permanente du disjoncteur (sans eclatement, de flammes ou fumees epaisses) est autorisee.
For rating 30A, during the test at 2000A and 6000A, the permanent opening of the circuit breaker (without bursting, flames or thick smokes) is allowed