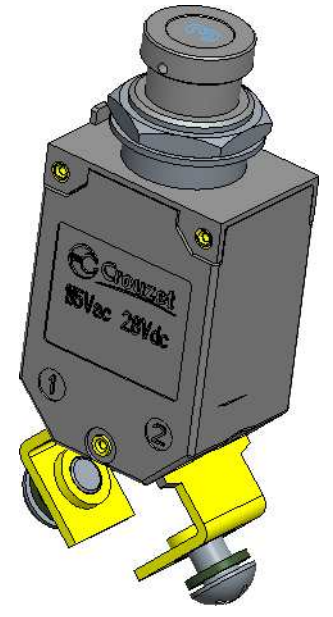
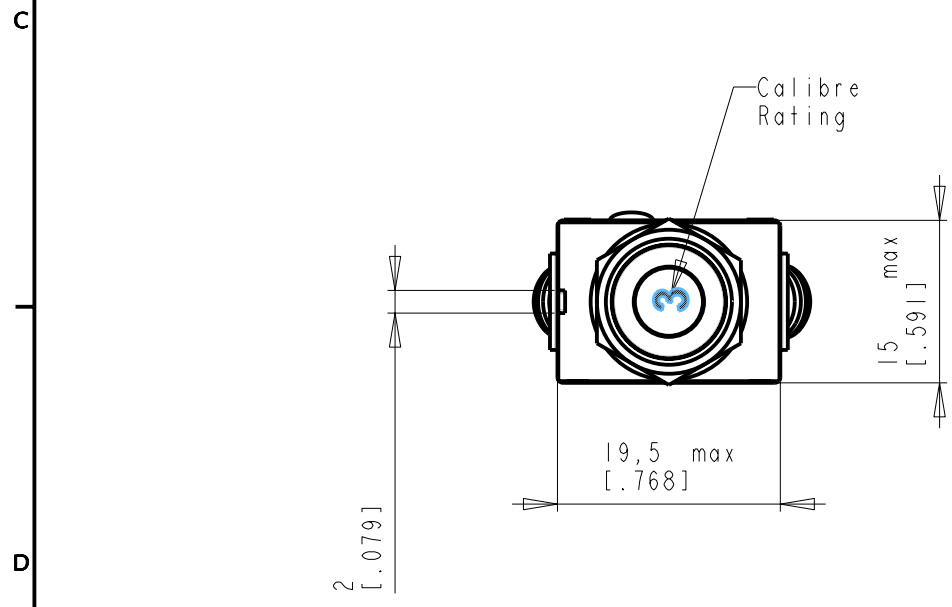
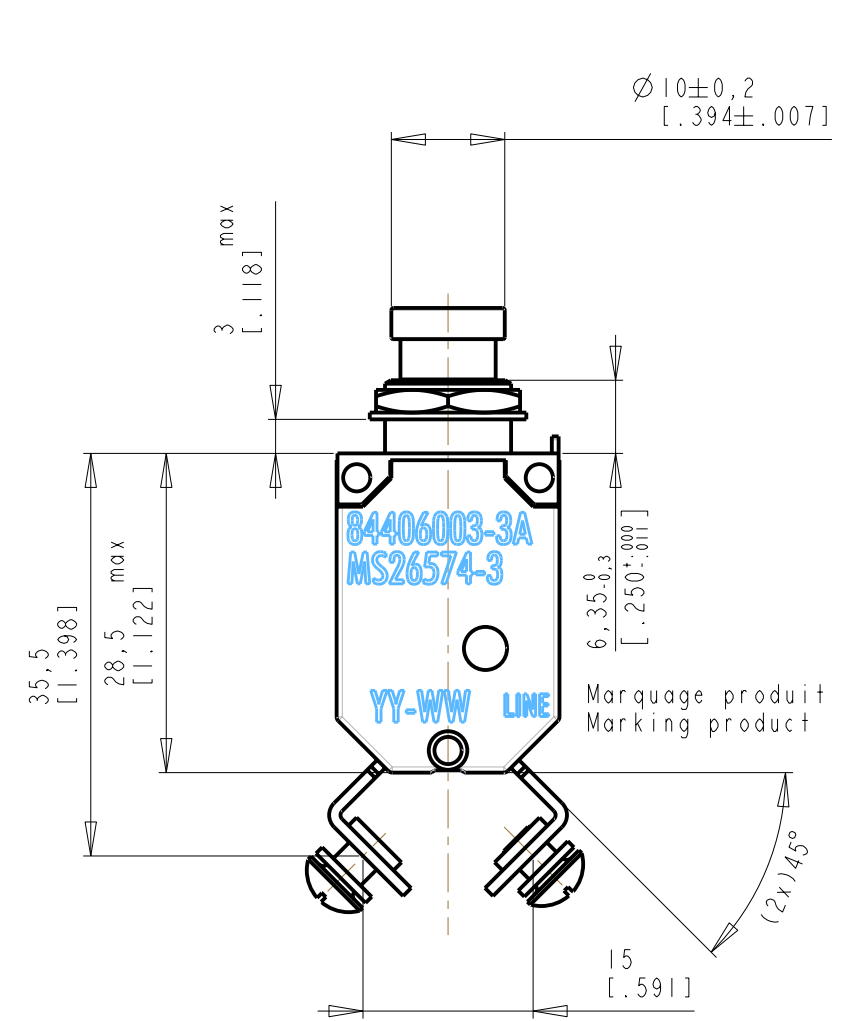
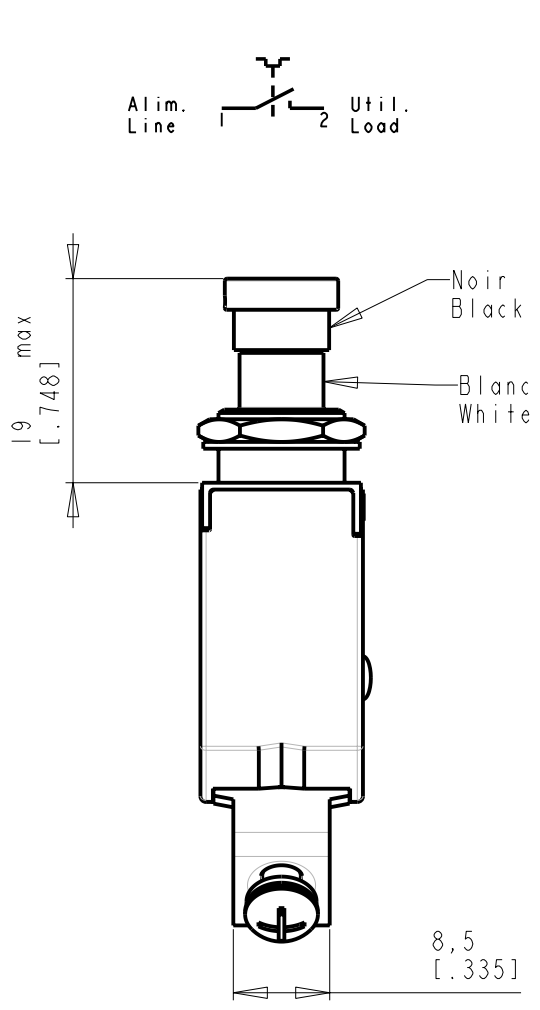
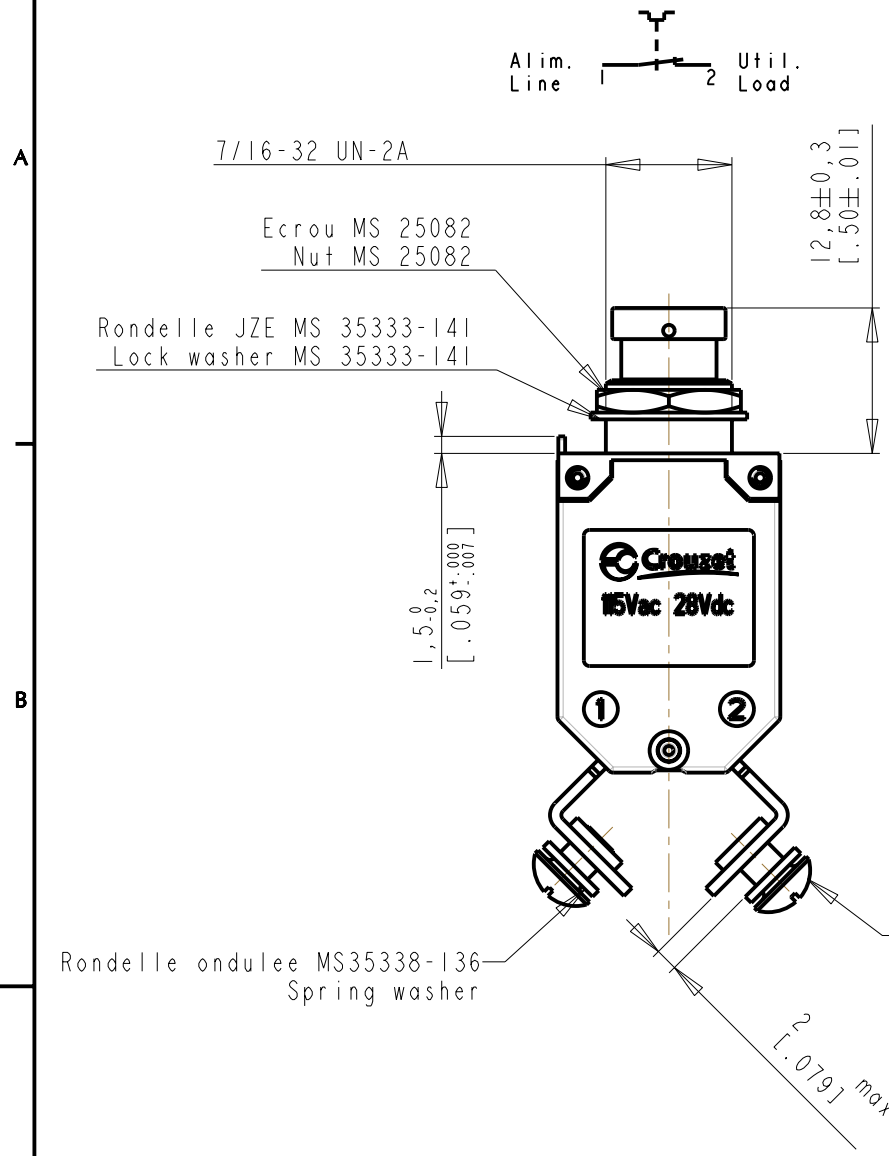


1

2

3

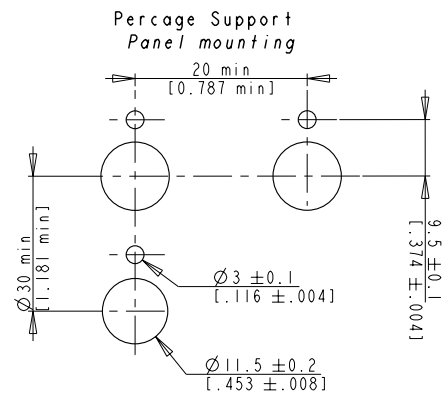
4



Couple de serrage/Tightening torque :

Ecrou canon/Threaded Barrel : 5,0 N.m max
Recommande/Recommended : 4,0 +-0,25 N.m

Vis de connection/terminal screw : 2,0 N.m max
Recommande/Recommended : 1,6 +-0,1 N.m



E	DDM-19/01-00744 : M&J tableau "seuils declenchement"		Modified by	M_VERDIER	12/07/2019
			Verified by	F_SALA	12/07/2019
		Authorized by			
Toler. gene. lin ± 0.2 mm		This document is the property of Crouzet-Automatismes. It's contents cannot be reproduced or divulged without the company's written approval. The product data and specifications found on this document do not constitute any contractual obligation. Crouzet-Automatismes and its subsidiaries reserve the right to modify the specifications. All rights of reproduction, modification, reprinting, and translation reserved for all countries.			
Toler. gene. Ang ± 3 degrees					
CROUZET	General Raw surface Ra ✓			Scale 3/2	
2. rue du Dr ABEL BP 59. 26902. Valence CEDEX 9 France		Customer:		Customer Ref.:	
Request:		Designation/FR: DISJONCTEUR THERMIQUE UNIPOLAIRE POUSSE TIRE MS26574		PFT001:<C>;<M>	
DDM-19/01-00744		Designation/GB: SINGLE POLE THERMAL CIRCUIT BREAKER PUSH PULL MS26574		Department CT	
Request:		Design by F_VILLE 02/06/2015		Index	
DDM-19/01-00744		Verif. by D_MEUX 02/06/2015		Format	
NATO code: FAQX2		Authorized by		Folio	
		FT844060_001FR		E A3 1/2	

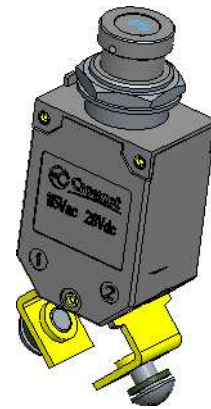
Caracteristiques suivant / Features according to : AS26574 and MS26574

- Masse / Weight : 20g max
- Tension d'utilisation / Operating voltage : 28VDC - 115VAC 360-900Hz
- Temperature d'utilisation / Operational temperature limits : - 55 °C - +71 °C
- Endurance electromecanique / Electromechanical endurance : 5000cycles a vide + 2500 cycles en charge (resistif-inductif cosfi 0.7)
5000cycles without a load+2500cycles loaded (resistive-inductive power factor 0.7)
- Vibration sinus / Sinusoidale vibration : 10 g-PK condition C suivant MIL STD-202 methode 204D
10 g-PK condition C according to MIL STD-202 method 204D
- Vibration aléatoire / Random vibration : 9.26 Grms condition C suivant MIL STD-202 methode 214A
9.26 Grms condition C according to MIL STD-202 method 214A
- Choc mecanique / Mechanical shock : 50 g 11msec 3 demi-sinusoidale 6 directions
50 g 11msec 3 half-sine 6 directions
- Corrosion / Corrosion : 48 heures brouillard salin
Salt spray 48 hours
- Pouvoir de coupure / Breaking capacity : 2000A RMS @ 115V-400Hz AC *voir note I
6000A @ 28VDC *see note I
- Chute de tension / Voltage drop

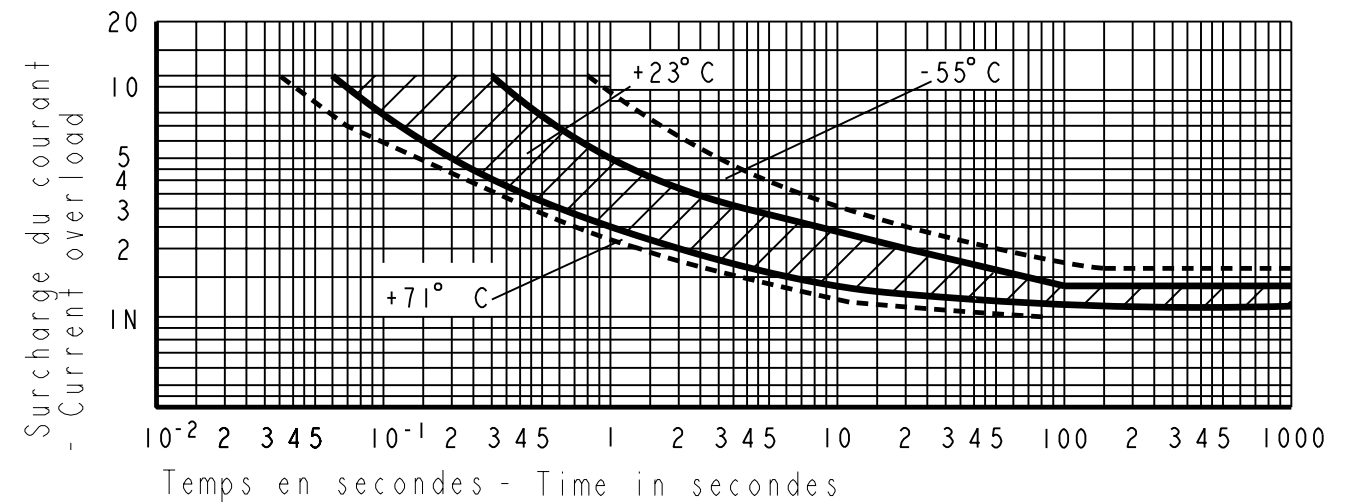
- Seuils et temps de declenchement :
Thresholds and tripping time

Calibre rating	Temperature	Seuils declenchement non declenchement %In Trip and no trip thresholds %In		Temps de declenchement en seconde Tripping times in seconde		
		Declenchement Trip	Non declenchement Non trip	200 %In	500 %In	1000 %In
1A => 20A	- 55°C	180	135	35 max	2 max	0.4 max
1A => 20A	23 °C	150	115	4 to 20	0.2 to 1.2	0.046 to 0.8
1A => 20A	71 °C	130	90	1.5 min	0.2 min	0.04 min

Calibre Rating	Volts
1/2A	2.20V max
3/4A	2.20V max
1A	1.10V max
1 1/2A	1.10V max
2A	0.50V max
2 1/2A	0.60V max
3A	0.35V max
5A	0.25V max
7 1/2A	0.20V max
10A	0.20V max
15A	0.15V max
20A	0.15V max



-Tripping curve



Documents associes / Associated documents	
Plan de marquage / Marking drawing	MA844000001FR
Plan d'ensemble / Assembly drawing	EN844060_001FR

- Reference Produit / Product reference

Calibre Rating	Reference produit / Product reference
0.5A	84406011
0.75A	84406013
1A	84406001
1.5A	84406014
2A	84406002
2.5A	84406012
3A	84406003
5A	84406005
7.5A	84406007
10A	84406010
15A	84406015
20A	84406020

Marquage produit / Marking product :

Reference -----> 84406003-3A
Norme / Standard -----> MS26574-3

Date -----> YY-WW
YY : Annee / Year (2 digits)
WW : Semaine / Week (2 digits)

E	DDM-19/01-00744 : M&J tableau "seuils declenchement"		Modified by	M_VERDIER	12/07/2019
			Verified by	F_SALA	12/07/2019
		Authorized by			
Toler. gene. lin ± 0.2 mm		<p>This document is the property of Crozet-Automatismes. It's contents cannot be reproduced or divulged without the company's written approval. The product data and specifications found on this document do not constitute any contractual obligation. Crozet-Automatismes and its subsidiaries reserve the right to modify the specifications. All rights of reproduction, modification, reprinting, and translation reserved for all countries.</p>			
Toler. gene. Ang ± 3 degrees					
CROUZET	General Raw surface Ra ✓	Scale 1/1			
2, rue du Dr ABEL BP 59, 26902, Valence CEDEX 9 France		Customer:		Customer Ref.:	
		Designation/FR: DISJONCTEUR THERMIQUE UNIPOLAIRE POUSSE TIRE MS26574		PFT001:<C>;<M>	
		Designation/GB: SINGLE POLE THERMAL CIRCUIT BREAKER PUSH PULL MS26574		Department CT	
Request: DDM-19/01-00744		Designed by F_VILLE 02/06/2015		DATA SHEET	
NATO code: FA0X2		Verified by D_MEUX 02/06/2015		FT844060_001FR	
		Authorized by		Index	Format
				E	A3
				Folio 2/2	