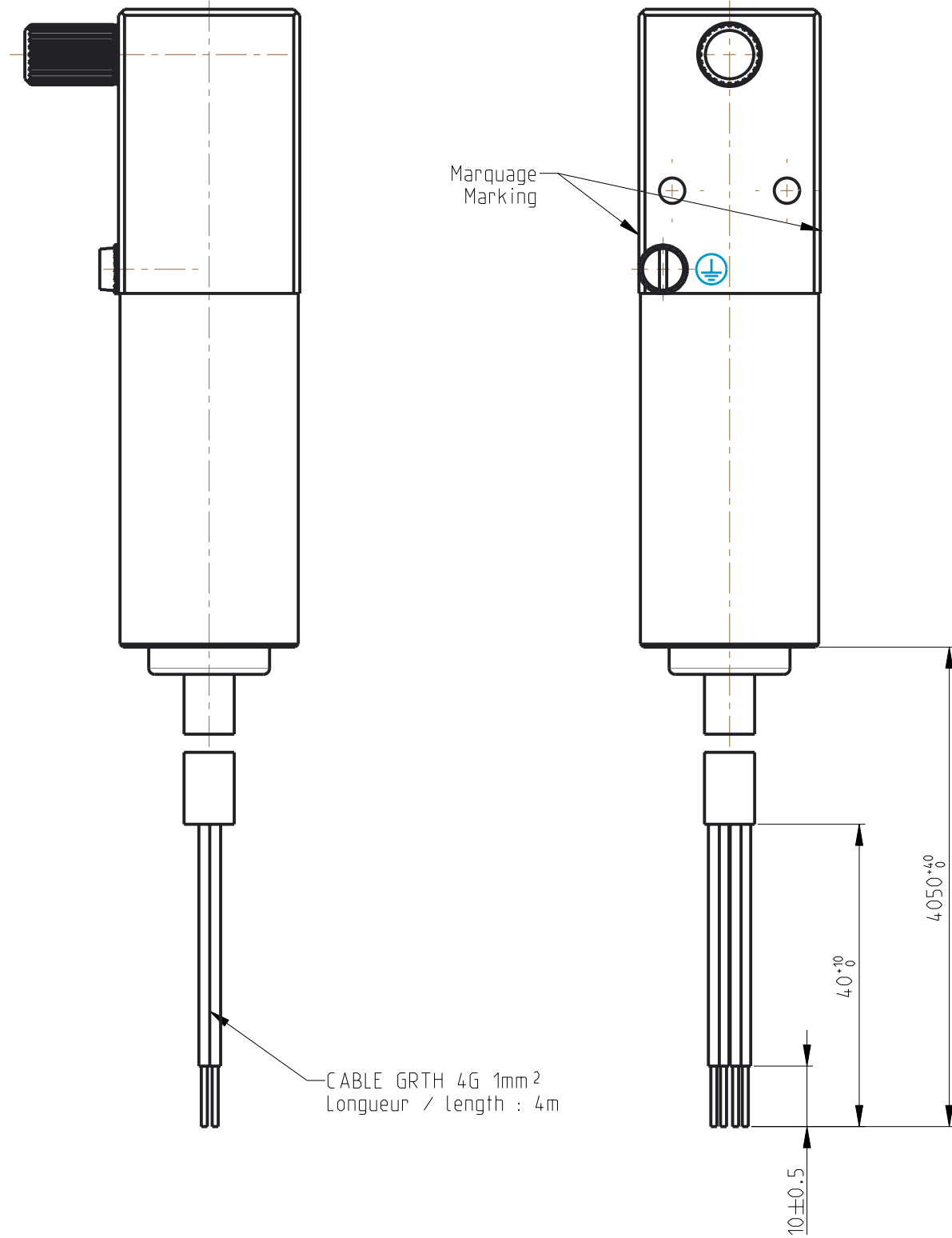


LEVIER REGLABLE NON LIVRÉ AVEC LE FIN DE COURSE



Nota:
 - Les caractéristiques indiquées sur ce document prévalent sur celles du plan FTSP rattaché
 - The characteristics given in this document take precedence over those of the drawing FTSP attached

Caractéristiques spécifiques/ Specific features

- Cable GRTH noir / Cable GRTH black : 4m , 4G 1mm²
- Température d'utilisation / Operating temperature : -20 °C to +90 °C

SCHEMA ELECTRIQUE (appareil au repos)
 DIAGRAM ELECTRICAL (switch at rest position)



Caractéristiques Ex spécifiques/ Ex specific features

MARQUAGE / MARKING

CROUZET CE 0081
 TYPE SP394100 P/N 83990043
 Customer P/N Date
 S/N
 CV 35

Ex WARNING DOT NOT OPEN WHEN ENERGIZED
 II 2G Ex d IIB+H2 T6 to T5 Gb
 -20 °C < Ta < +90 °C
 LCIE 02 ATEX 6159 X
 Ex db IIB+H2 T6 to T5 Gb
 -20 °C < Ta < +90 °C
 IECEx LCIE 14.0032X

Echelle 1/1
 Scale 1/1

- Notice d'instruction/ Instruction notice : C.CT.DEF.00503.FR
- Pour autres caractéristiques voir/ For other characteristics see : FTSP394100-09
- Plan d'ensemble/ Assembly drawing : EN839907_001.FR

| | | | | | | | |
|-----------------------------|-----------|-----|------|-----------------------------|-----------|-----|--------------|
| CABLE GRTH NOIR 4X1 FILOTEX | 79550430 | 1 | | CABLE GRTH NOIR 4X1 FILOTEX | 79553056 | 1 | 4m |
| Designation | Reference | Qte | Rep. | Designation | Reference | Qte | Observations |

| | | | |
|--|-----------------|-----------------|-----------------|
| Native Product(s): | SP394100 | Product Number: | 83990043 |
| The product datas and dimensions not specified on this document are similar to native product. | | | |
| Conformité à/Compliance to SP394100 | | | |
| Conformité à/Compliance to | | | |

| | | | | |
|----------|--|---------------|----------|------------|
| D | Ajust du marquage CCC | Modified by | C_FOUR | 16/07/2018 |
| | II 2G supprime pour IECEx | Verified by | D_BRULAT | 16/07/2018 |
| | Modification du marquage IIC -> IIB+H2 | Authorized by | -- | --/--/---- |

| | | | | |
|--------------------|-----|---------|--|-----------|
| Toler. gene. Lin ± | 0.5 | mm | This document is the property of Crouzet-Automatismes. It's contents cannot be reproduced or divulged without the company's written approval. The product data and specifications found on this document do not constitute any contractual obligation. Crouzet-Automatismes and its subsidiaries reserve the right to modify the specifications. All rights of reproduction, modification, reprinting, and translation reserved for all countries. | Scale 1/1 |
| Toler. gene. Ang ± | N/A | degrees | | |

| | | | | |
|----------------------|---|------------------------------------|--------------------------------|------------------|
| CROUZET | General Raw surface | Ra ✓ | Customer: -- Customer Ref.: -- | PFT001:x<C>;y<M> |
| | 2, rue du Dr ABEL BP 59, 26902, Valence CEDEX 9 France | Designation/FR: Designation/GB: | | |
| Request: | Design by AMETRA 06/11/2013 | DATA SHEET SPECIAL PRODUCT | | Index |
| SW I-DDM-18/04-00412 | Verif. by M_DOREY 06/11/2013 | SP394100-83990043 | | Format |
| NATO code: FAQX2 | Authorized by -- --/--/---- | | | Folio |
| | | | | D |
| | | | | A3 |
| | | | | 1/1 |