

### Ø 63 mm 194 and 255 Watts 194 W Part number 82890027



- Long service life
- Nominal power : 90 W
- For high-power drive applications
- Motor with long service life, 2 ball bearings
- Power supply via 2 output leads

#### Part numbers

	Type	Type	Voltage	References
82890027	194 W	828900	24 V	With 12 pulses/revolution 1-channel encoder

#### Specifications

##### No-load characteristics

Speed of rotation (rpm)	3700
Absorbed power (W)	10,8
Absorbed current (A)	0,45

##### Nominal characteristics

Speed (rpm)	3200
Torque (mNm)	270
Usable power (W)	90
Absorbed power (W)	120
Absorbed current (A)	5,00
Gearbox case temperature rise (°C)	50
Efficiency (%)	75

##### General characteristics

Insulation class (conforming to IEC 85)	F (155 °C)
Protection (IEC/EN 60529)	IP20
Max. output power (W)	194
Start torque (mNm)	2000
Starting current (A)	34,1
Resistance (Ω)	0,7
Inductance (mH)	1,05
Torque constant (Nm/A)	0,059
Electrical time constant (ms)	1,5
Mechanical time constant (ms)	16
Thermal time constant (mn)	41
Inertia (g.cm <sup>2</sup> )	795
Weight (g)	1580
Number of segments	12
Service life (h)	5000
Ball bearings	•
Wires length (mm)	200

##### Encoder characteristics

Current consumption (mA)	0,5 →15
Output current (mA)	< 20 (25 °C)
Supply (V)	4,5 →35 DC
Ambient temperature (°C)	-25 →+85

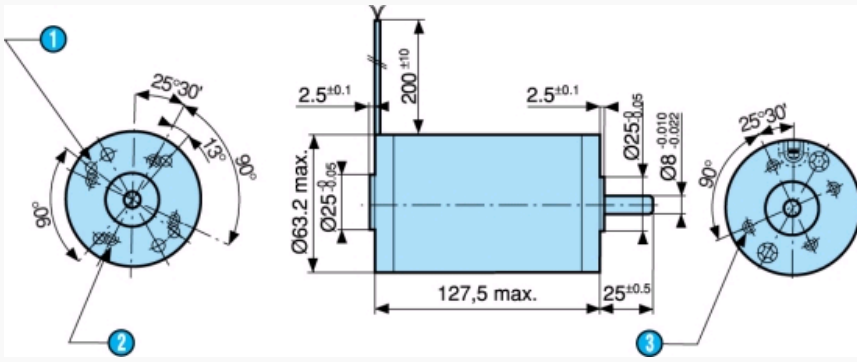
#### Accessories

Connection	Code
Pre-assembled female connector, casing 179228-3, tags 179227-1 and leads AWG24 250 mm	79209895

#### Made to order products, available on request

- Built-in interference suppression
- Other supply voltages
- Shaft lengths at front and/or rear
- Motor 82 850 with 1 or 2 ball bearings
- Other fixing flanges on front and rear
- 200 pulses/rev optical encoder

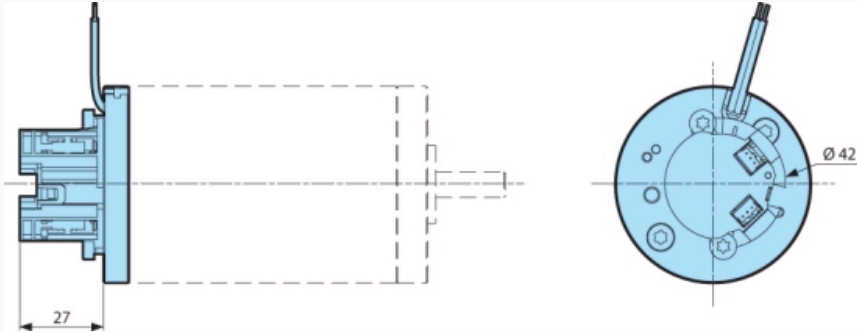
#### Dimensions (mm)



N°	Legend
1	4 holes $\varnothing 3.65 \pm 0.05$ at $90^\circ$ over $\varnothing 48$
2	4 holes M5 over $\varnothing 40$ mm depth 7 mm
3	4 holes M5 over $\varnothing 40$ mm depth 7 mm

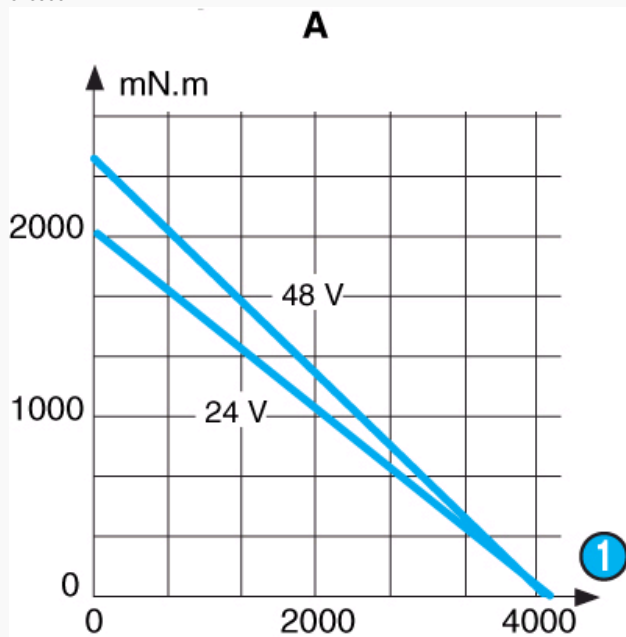
### Dimensions (mm)

Encoder on type 828900



### Curves

828900

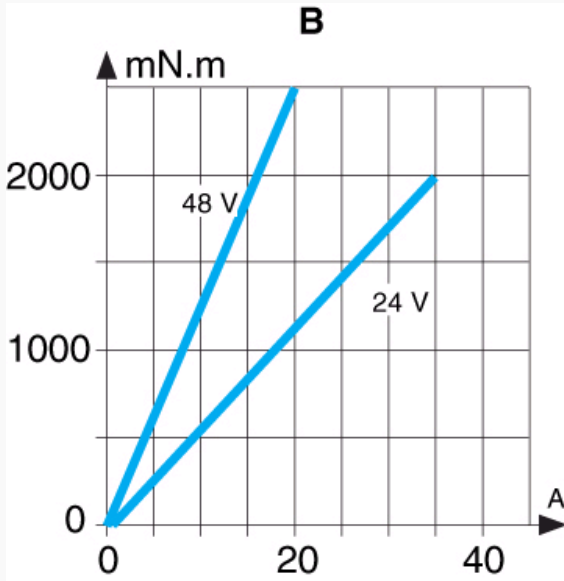


N°	Legend
1	rpm

✖	Torque/speed curve
---	--------------------

**Curves**

828900



✖	Legend
✖	Torque/current curve

**Connections**

Encoder

V DC	RD	RL
+ 5 V	190 Ω - 1/4 W	1,5 KΩ - 1/4 W
+ 12 V	560 Ω - 1/2 W	3,9 KΩ - 1/4 W
+ 24 V	1200 Ω - 1 W	8,2 KΩ - 1/4 W
+ 30 V	1500 Ω - 1 W	10 KΩ - 1/4 W

①	Signal output
②	0 V DC (encoder power ground supply)
③	Emitting diode
④	Power supply V DC

**Product adaptations**

- Special output shaft
- Pinion on output shaft
- Special supply voltage
- Special cable length
- Special ball bearings
- Optical or Hall effect encoder - 1 or 2 channels - other resolutions
- Special mounting plate
- Special connectors
- EMC filter