

Ø 63 mm 194 and 255 Watts 255 W Part number 82890028



- Long service life
- Nominal power : 90 W
- For high-power drive applications
- Motor with long service life, 2 ball bearings
- Power supply via 2 output leads

Part numbers

	Type	Type	Voltage	References
82890028	255 W	828900	48 V	With 12 pulses/revolution 1-channel encoder

Specifications

No-load characteristics

Speed of rotation (rpm)	3750
Absorbed power (W)	9,6
Absorbed current (A)	0,2

Nominal characteristics

Speed (rpm)	3360
Torque (mNm)	270
Usable power (W)	95
Absorbed power (W)	118
Absorbed current (A)	2,45
Gearbox case temperature rise (°C)	50
Efficiency (%)	80

General characteristics

Insulation class (conforming to IEC 85)	F (155 °C)
Protection (IEC/EN 60529)	IP20
Max. output power (W)	255
Start torque (mNm)	2600
Starting current (A)	21,7
Resistance (Ω)	2,2
Inductance (mH)	4,62
Torque constant (Nm/A)	0,12
Electrical time constant (ms)	2,1
Mechanical time constant (ms)	12
Thermal time constant (mn)	36
Inertia (g.cm ²)	795
Weight (g)	1580
Number of segments	12
Service life (h)	5000
Ball bearings	•
Wires length (mm)	200

Encoder characteristics

Current consumption (mA)	0,5 →15
Output current (mA)	< 20 (25 °C)
Supply (V)	4,5 →DC
Ambient temperature (°C)	-25 →+85

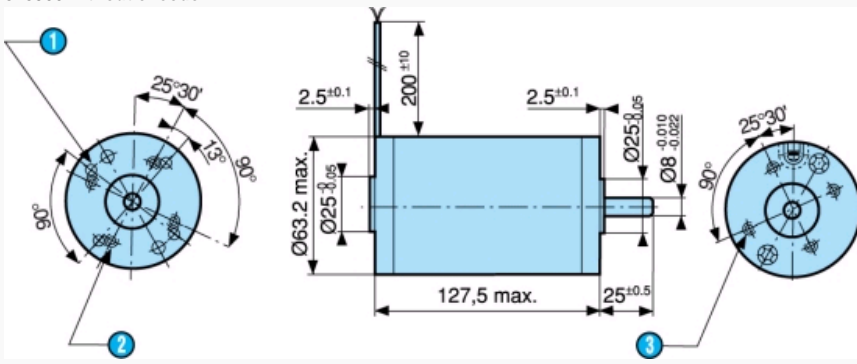
Accessories

Connection	Code
Pre-assembled female connector, casing 179228-3, tags 179227-1 and leads AWG24 250 mm	79209895

Made to order products, available on request

- Built-in interference suppression
- Other supply voltages
- Shaft lengths at front and/or rear
- Motor 82 850 with 1 or 2 ball bearings
- Other fixing flanges on front and rear
- 200 pulses/rev optical encoder

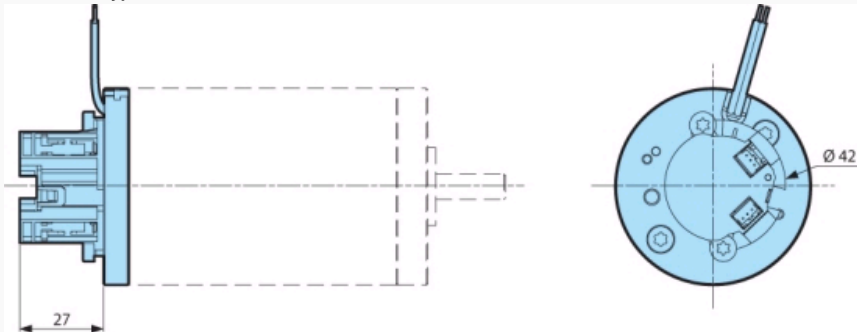
Dimensions (mm)



N°	Legend
1	4 holes $\varnothing 3.65 \pm 0.05$ at 90° over $\varnothing 48$
2	4 holes M5 over $\varnothing 40$ mm depth 7 mm
3	4 holes M5 over $\varnothing 40$ mm depth 7 mm

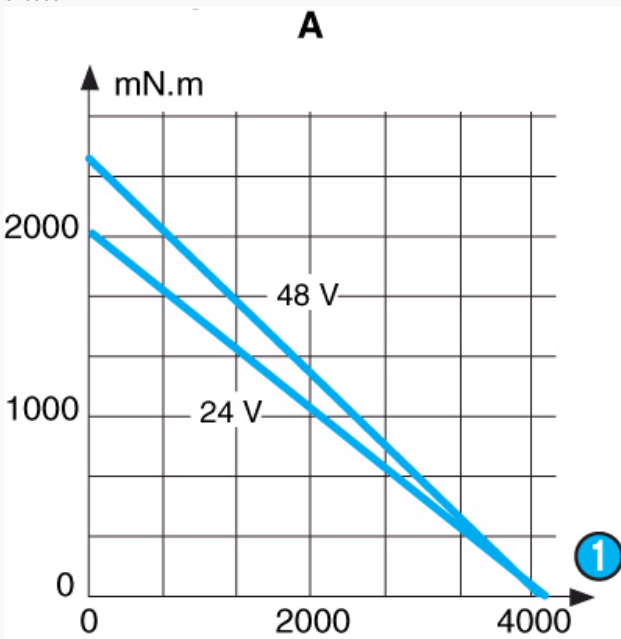
Dimensions (mm)

Encoder on type 828900



Curves

828900

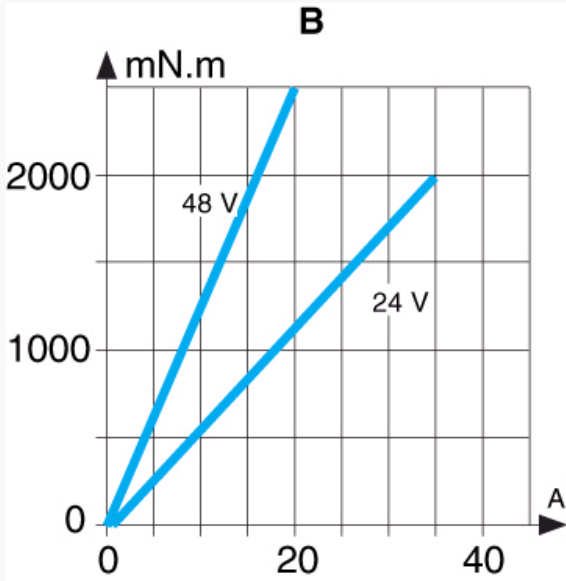


N°	Legend
1	rpm

✖	Torque/speed curve
---	--------------------

Curves

828900



✖	Legend
✖	Torque/current curve

Connections

Encoder

V DC	RD	RL
+ 5 V	190 Ω - 1/4 W	1,5 KΩ - 1/4 W
+ 12 V	560 Ω - 1/2 W	3,9 KΩ - 1/4 W
+ 24 V	1200 Ω - 1 W	8,2 KΩ - 1/4 W
+ 30 V	1500 Ω - 1 W	10 KΩ - 1/4 W

①	Signal output
②	0 V DC (encoder power ground supply)
③	Emitting diode
④	Power supply V DC

Product adaptations

- Special output shaft
- Pinion on output shaft
- Special supply voltage
- Special cable length
- Special ball bearings
- Optical or Hall effect encoder - 1 or 2 channels - other resolutions
- Special mounting plate
- Special connectors
- EMC filter