

## Ø 63 mm 194 and 255 Watts 255 W Part number 82890030



- Long service life
- Nominal power : 90 W
- For high-power drive applications
- Motor with long service life, 2 ball bearings
- Power supply via 2 output leads

### Part numbers

	Type	Type	Voltage	References
82890030	255 W	828900	48 V	With 12 pulses/revolution 2-channel encoder

### Specifications

#### No-load characteristics

Speed of rotation (rpm)	3750
Absorbed power (W)	9,6
Absorbed current (A)	0,2

#### Nominal characteristics

Speed (rpm)	3360
Torque (mNm)	270
Usable power (W)	95
Absorbed power (W)	118
Absorbed current (A)	2,45
Gearbox case temperature rise (°C)	50
Efficiency (%)	80

#### General characteristics

Insulation class (conforming to IEC 85)	F (155 °C)
Protection (IEC/EN 60529)	IP20
Max. output power (W)	255
Start torque (mNm)	2600
Starting current (A)	21,7
Resistance (Ω)	2,2
Inductance (mH)	4,62
Torque constant (Nm/A)	0,12
Electrical time constant (ms)	2,1
Mechanical time constant (ms)	12
Thermal time constant (mn)	36
Inertia (g.cm <sup>2</sup> )	795
Weight (g)	1580
Number of segments	12
Service life (h)	5000
Ball bearings	•
Wires length (mm)	200

#### Encoder characteristics

Current consumption (mA)	0,5 →15
Output current (mA)	< 20 (25 °C)
Supply (V)	4,5 →DC
Ambient temperature (°C)	-25 →+85

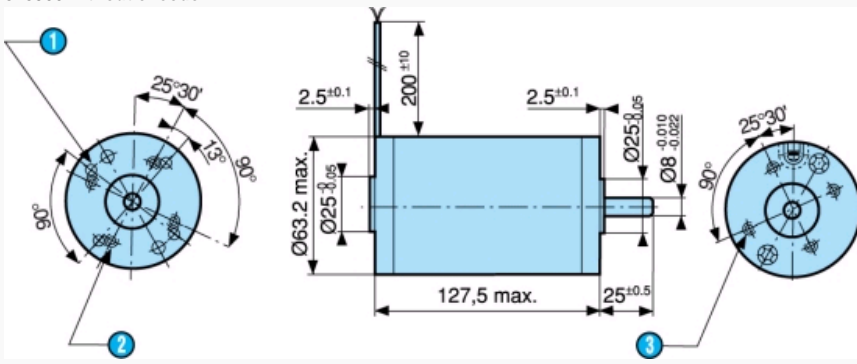
### Accessories

Connection	Code
Pre-assembled female connector, casing 179228-3, tags 179227-1 and leads AWG24 250 mm	79209895

### Made to order products, available on request

- Built-in interference suppression
- Other supply voltages
- Shaft lengths at front and/or rear
- Motor 82 850 with 1 or 2 ball bearings
- Other fixing flanges on front and rear
- 200 pulses/rev optical encoder

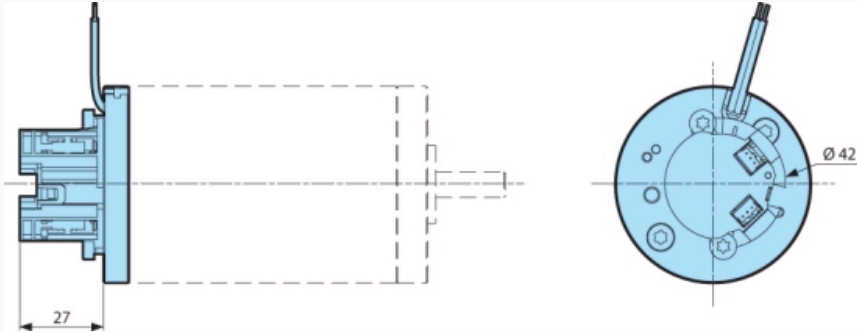
### Dimensions (mm)



N°	Legend
1	4 holes Ø 3.65 ± 0.05 at 90° over Ø 48
2	4 holes M5 over Ø 40 mm depth 7 mm
3	4 holes M5 over Ø 40 mm depth 7 mm

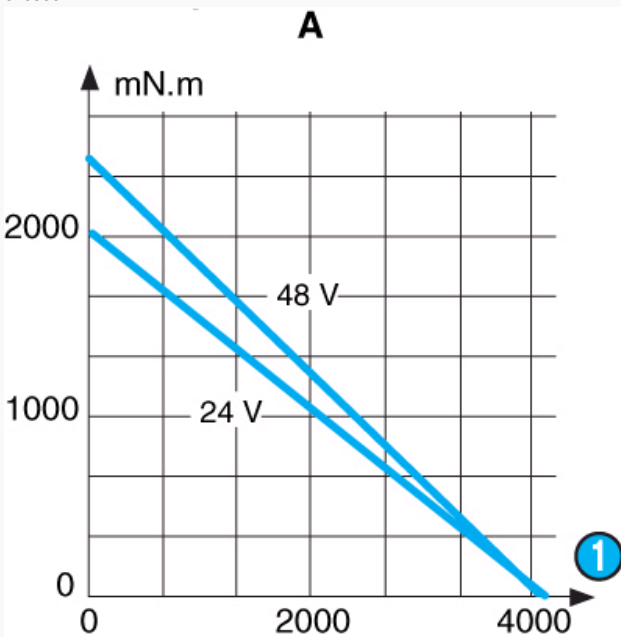
**Dimensions (mm)**

Encoder on type 828900



**Curves**

828900

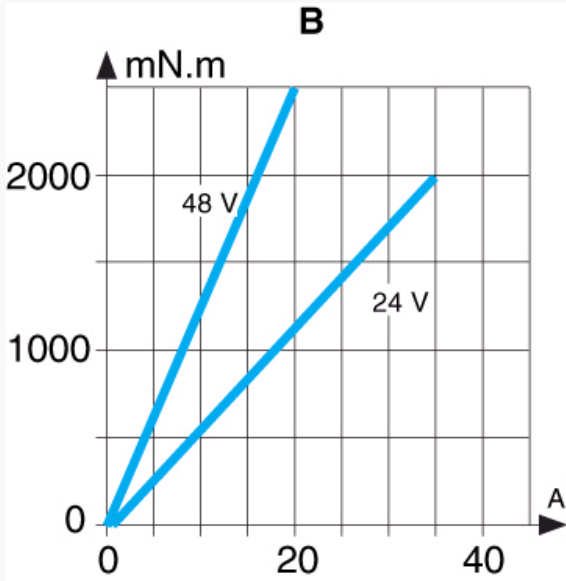


N°	Legend
1	rpm

✖	Torque/speed curve
---	--------------------

**Curves**

828900



✖	Legend
✖	Torque/current curve

**Connections**

Encoder

V DC	RD	RL
+ 5 V	190 Ω - 1/4 W	1,5 KΩ - 1/4 W
+ 12 V	560 Ω - 1/2 W	3,9 KΩ - 1/4 W
+ 24 V	1200 Ω - 1 W	8,2 KΩ - 1/4 W
+ 30 V	1500 Ω - 1 W	10 KΩ - 1/4 W

①	Signal output
②	0 V DC (encoder power ground supply)
③	Emitting diode
④	Power supply V DC

**Product adaptations**

- Special output shaft
- Pinion on output shaft
- Special supply voltage
- Special cable length
- Special ball bearings
- Optical or Hall effect encoder - 1 or 2 channels - other resolutions
- Special mounting plate
- Special connectors
- EMC filter