

5 Nm 12.5 Watts 12.5 Watts Part number 80947010



- Mechanical strength : 5 Nm
- 2 and 4 phases

Part numbers

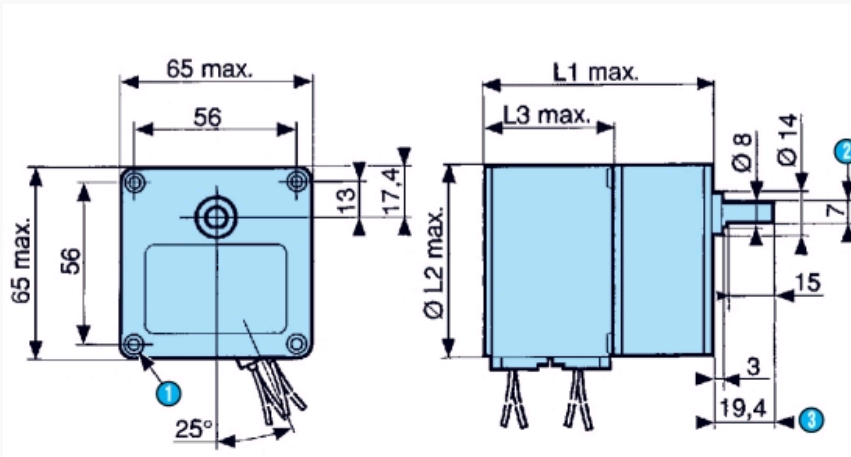
	Type	Type	Number of phases	Ratios
80947010	12.5 Watts	80 947 0	4	25

Specifications

Motor	82 940 015
Gearbox	81 037
Maximum permitted torque from gearmotor under continuous conditions (Nm)	5
Number of phases	4
Axial load static (daN)	2
Radial load static (daN)	3
Absorbed power (W)	12,5
Coil temperature (°C)	120
Weight (g)	860
Wires length (mm)	250
Protection rating	IP 40

Dimensions (mm)

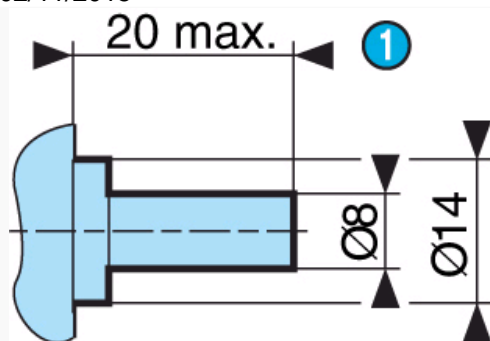
80 947 0



N°	Legend
①	4 holes M4 depth 12
②	across flat
③	(pushed-in shaft)
	80 947 0 = L1 : 76.6 mm - ØL2 : 65.3 mm - L3 : 43 mm

Dimensions (mm)

Shaft 79 206 478



N°	Legend
1	(pushed-in shaft)

Product adaptations



- Special output shafts
- Special cable lengths
- Special output bearings
- Special connectors
- Special gearbox ratios
- Special mounting plate
- Special gear wheel material