

5 Nm 5 and 7.5 Watts 7.5 Watts Part number 80927019



- Mechanical strength : 5 Nm
- 2 and 4 phases

Part numbers

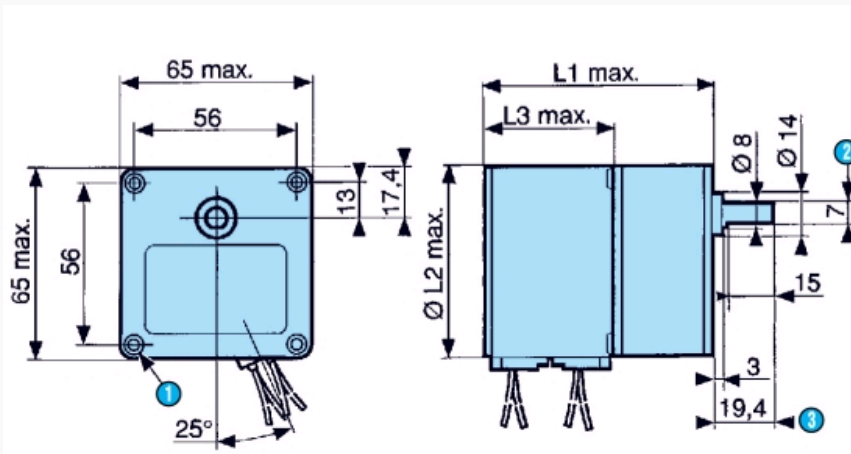
	Type	Type	Number of phases	Ratios
80927019	7.5 Watts	80 927 0	2	12,5

Specifications

Motor	82 920 001
Gearbox	81 037
Maximum permitted torque from gearmotor under continuous conditions (Nm)	5
Number of phases	2
Axial load static (daN)	2
Radial load static (daN)	3
Absorbed power (W)	7,5
Coil temperature (°C)	120
Weight (g)	530
Wires length (mm)	250
Protection rating	IP 40

Dimensions (mm)

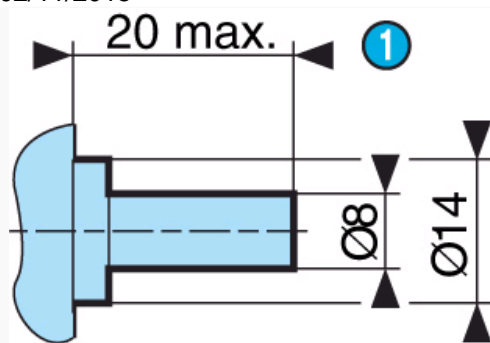
80 917 0 - 80 927 0



N°	Legend
1	4 holes M4 depth 12
2	across flat
3	(pushed-in shaft)
	80 917 0 = L1 : 58.5 mm - ØL2 : 35.8 mm - L3 : 22.3 mm
	80 927 0 = L1 : 59.2 mm - ØL2 : 51.3 mm - L3 : 25.6 mm

Dimensions (mm)

Shaft 79 206 478



N°	Legend
①	(pushed-in shaft)

Product adaptations



- Special output shafts
- Special cable lengths
- Special output bearings
- Special connectors
- Special gearbox ratios
- Special gear wheel material