

### Starting/running torque 12 mNm 2.7 Watts Part number 825100



- Constant speed, dependant upon supply frequency
- Direction of rotation controlled by dephasing capacitor
- Sintered bearing lubricated for life
- Silent operation
- UL, CSA (class B)

#### Part numbers

	Type	Type	Voltages/Frequencies
<b>825100</b>	2.7 Watts	82 510 0	230 - 240 V 50 Hz

#### Specifications

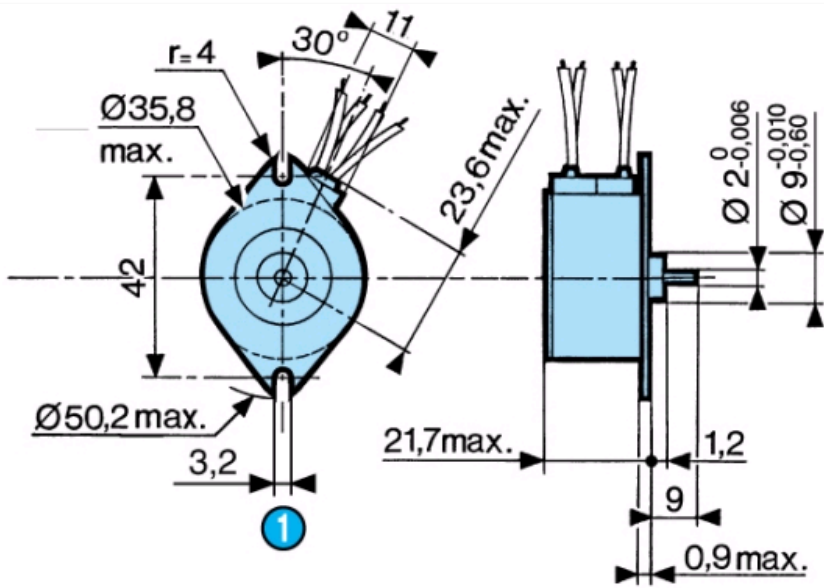
Base speed of motor (rpm)	250
Absorbed power (W)	2.7
Usable Power (W)	0,31
Starting/running torque (mNm)	12
Stall torque (mNm)	15
Temperature rise (° C)	55
Ambient temperature (°C)	-10 +75
Maximum inertial load that can be moved (g.cm <sup>2</sup> )	22
Number of offload starts	
Insulation resistance (MΩ)	75x10 <sup>3</sup>
Breakdown voltage (V-50 Hz)	1800-1 sec
Weight (g)	90
Wires length mm (approximately)	250
Protection rating	IP40

#### Accessories

Voltages/Frequencies	µF	V AC	Code
Capacitors motors 82 510 0/3	Condensateur		
230-240 V - 50 Hz	0,1 ± 10 %	500	26 231 941
115 V - 50/60 Hz	0,27 ± 10 %	240	26 231 851
24 V - 50 Hz	8,2 ± 10 %	63	26 231 711
24 V - 60 Hz	6,8 ± 10 %	63	26 231 708

#### Dimensions (mm)

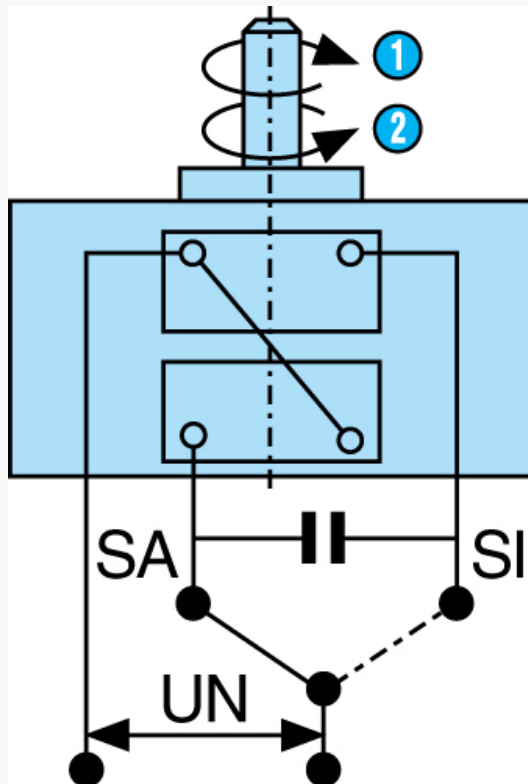
**82 510 0**



N°	Legend
1	2 fixing holes Ø 3.2

**Connections**

In parallel  
Motors 82 510 0



N°	Legend
1	SA : Clockwise
2	SI : Anti-clockwise

**Product adaptations**



- Different voltages available
- Pinion on output shaft
- Special output shafts
- Special cable lengths
- Special output bearings
- Special mounting plate
- Special connectors