

Starting/running torque 12 mNm 2.7 Watts Part number 825105



- Constant speed, dependant upon supply frequency
- Direction of rotation controlled by dephasing capacitor
- Sintered bearing lubricated for life
- Silent operation
- UL, CSA (class B)

Part numbers

	Type	Type	Voltages/Frequencies
825105	2.7 Watts	82 510 5	230 - 240 V - 50/60 Hz

Specifications

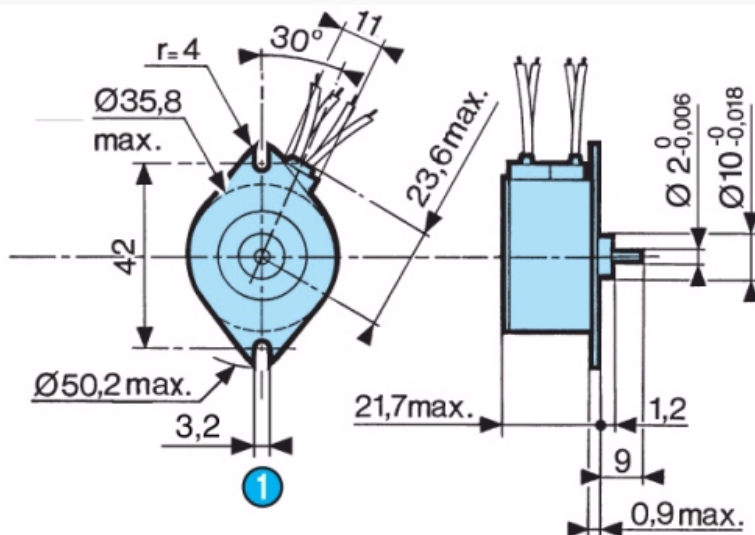
Base speed of motor (rpm)	500
Absorbed power (W)	2.7
Usable Power (W)	0,52
Starting/running torque (mNm)	10
Stall torque (mNm)	12
Temperature rise (° C)	65
Ambient temperature (°C)	-5 +65
Maximum inertial load that can be moved (g.cm ²)	22
Number of offload starts	
Insulation resistance (MΩ)	75x10 ³
Breakdown voltage (V-50 Hz)	1800-1 sec
Weight (g)	90
Wires length mm (approximately)	250
Protection rating	IP40

Accessories

Voltages/Frequencies	μF	V AC	Code
Capacitors motor 82 510 5/8	Condensateur		
230-240 V 50/60 Hz	0,1 ± 10 %	500	26 231 941
115 V - 50/60 Hz	0,39 ± 5 %	480	26 231 924
24 V - 50/60 Hz	8,2 ± 10 %	63	26 231 711

Dimensions (mm)

82 510 5

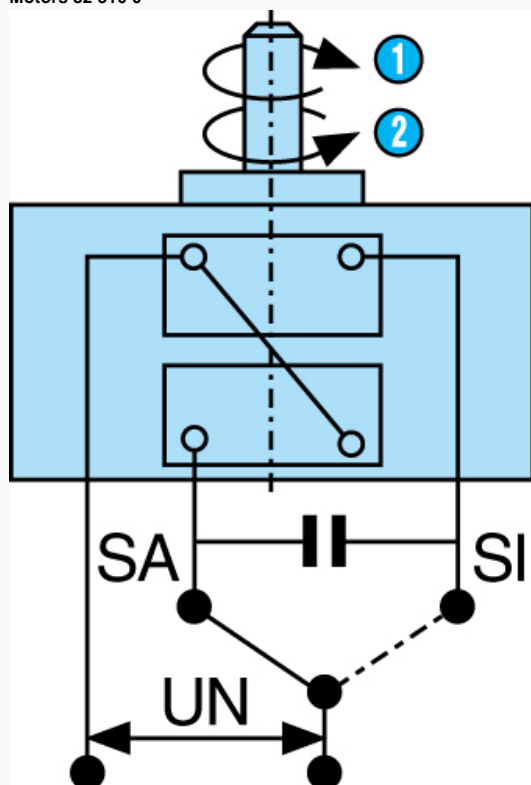


N°	Legend
①	2 fixing holes Ø 3.2

Connections

In parallel

Motors 82 510 0



N°	Legend
①	SA : Clockwise
②	SI : Anti-clockwise

Product adaptations



- Different voltages available
- Pinion on output shaft
- Special output shafts
- Special cable lengths
- Special output bearings
- Special mounting plate
- Special connectors